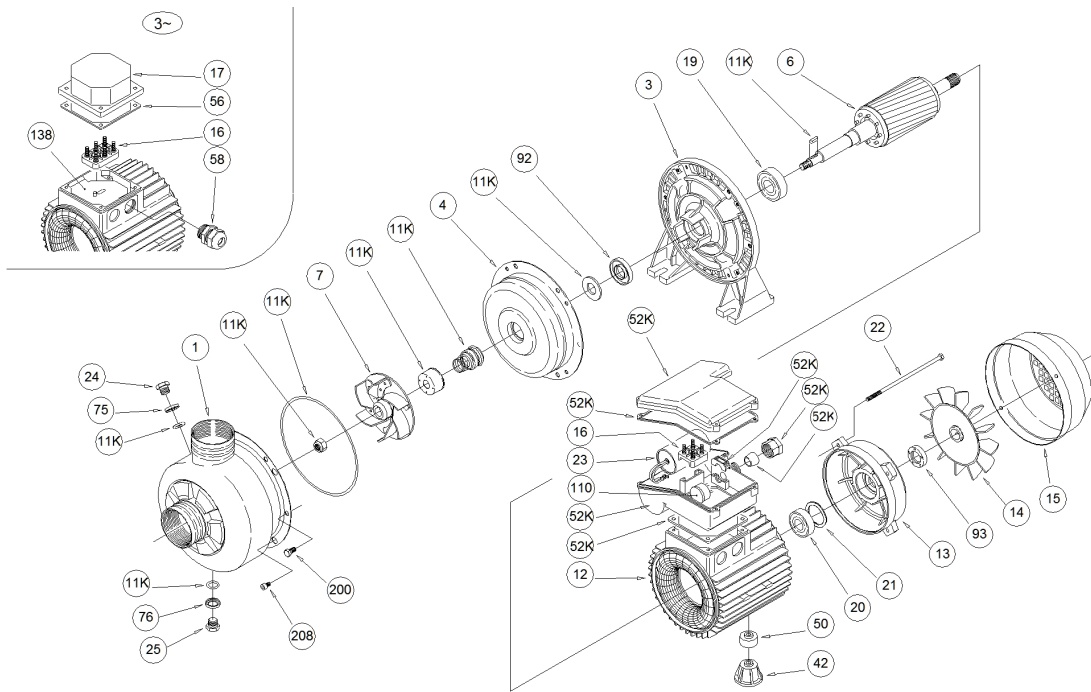


1579070000A-POMPA DWO/A 150M



1579070000A-POMPA DWO/A 150M

Position	Code	Description	Note	Qty
1	251420992	CASING		1
3	240280596	MOTOR BRAKET		1
4	251438027	CASING COVER		1
7	251450978	IMPELLER		1
11K	364500018	MECHANICAL SEAL KIT		1
15	362250080	FAN COVER		1
21	360600040	ADJUSTING RING		1
24	375192105	PLUG		1
25	375192105	PLUG		1
42	371415015	FOOT		1
50	371472028	SPACER		1
75	360676006	WASHER		1
76	360676006	WASHER		1
92	360991540	LIP SEAL		1
110	369450518	PROTECTOR		1
16	365940254	TERMINAL BOARD		1
200	369600056	SCREW		6
23	361410035	CAPACITOR		1
52K	352665059	TERMINAL BOX KIT		1
6	275412242			1
12	277930015	MOTOR FRAME		1
13	230225072	MOTOR COVER		1
14	369950008	FAN		1
19	360306212	BEARING		1
20	360306210	BEARING		1
22	369305148	TIE ROD		4