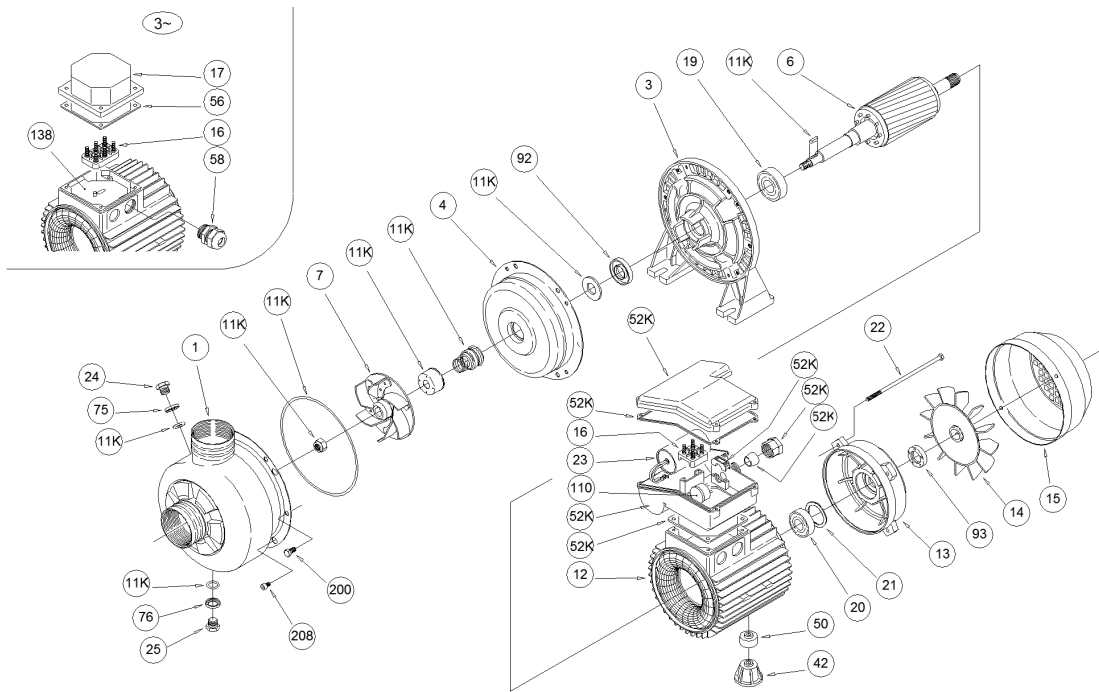


1579080004I-DWO/I 200 IE3



1579080004I-DWO/I 200 IE3

Position	Code	Description	Note	Qty
1	251420992	CASING		1
3	240280596	MOTOR BRAKET		1
4	251438027	CASING COVER		1
6	275412858	SHAFT		1
7	251450977	IMPELLER		1
11K	364500018	MECHANICAL SEAL KIT		1
12	277930236I	MOTOR		1
13	230225090	MOTOR COVER		1
14	369950000	FAN		1
15	362250080	FAN COVER		1
16	365950326	TERMINAL		1
17	363232008	TERMINAL BOX		1
19	360326212	BEARING		1
20	360326210	BEARING		1
21	360600040	ADJUSTING RING		1
22	369393018	TIE ROD		4
24	375192105	PLUG		1
25	375192105	PLUG		1
42	371415015	FOOT		1
50	371472028	SPACER		1
56	364700811	GASKET		1
58	376565024	CABLE ENTRY		1
75	360676006	WASHER		1
76	360676006	WASHER		1
92	360991540	LIP SEAL		1
200	369644000	SCREW		6