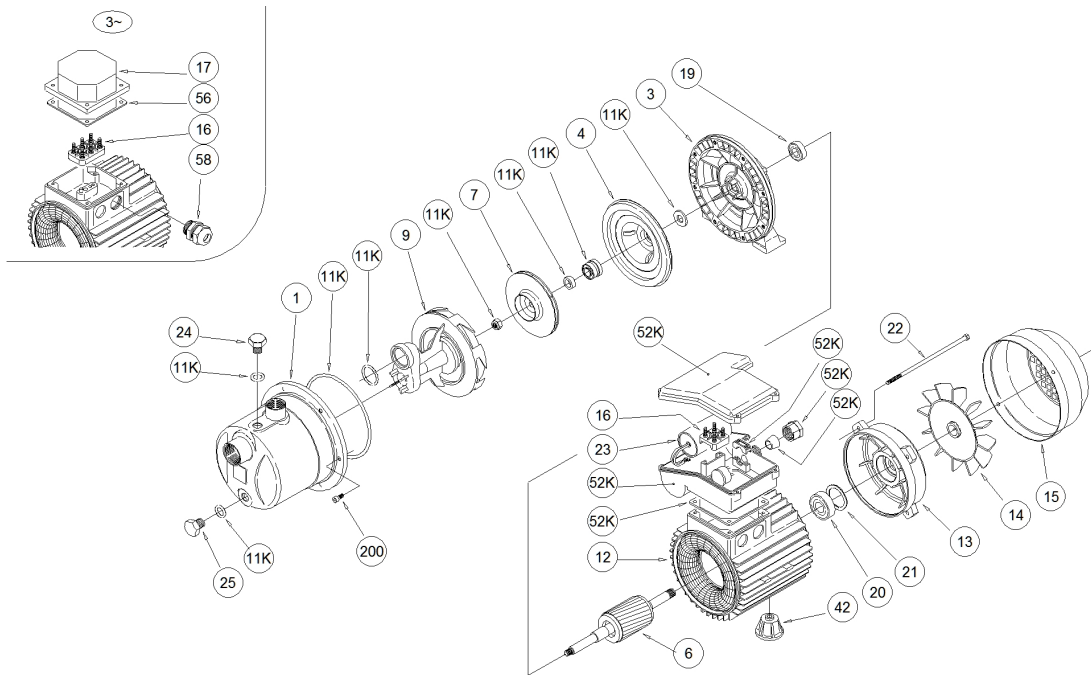


1690050000-JESX M5



1690050000-JESX M5

Position	Code	Description	Qty
1	251402022	CASING	1
11K	364500012	MECHANICAL SEAL KIT	1
16	365940253	TERMINAL BOARD	1
200	369600025	BOLT	6
23	361410010	CAPACITOR	1
24	375192002	PLUG	1
25	375192002	PLUG	1
4	241438002	CASING COVER	1
52K	352665057	TERMINAL BOX KIT	1
56	364700810	GASKET	1
7	342550519	IMPELLER	1
9	342590000	DIFFUSER AND VENTURI TUBE	1
13	230225500	MOTOR COVER	1
3	240280544	MOTOR BRACKET	1
6	275412125	SHAFT	1
12	277930120	MOTOR FRAME	1
19	360316201	BEARING	1
20	360316201	BEARING	1
21	360600032	ADJUSTING RING	1
15	362250000	FAN COVER	1
22	369305127	TIE ROD	4
14	369950000	FAN	1
42	371415015	FOOT	1