

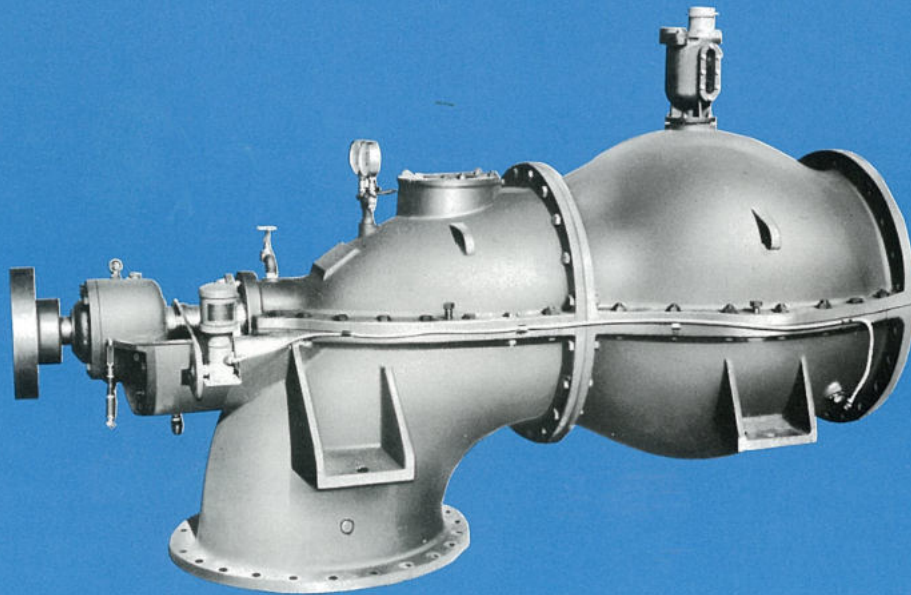


EBARA

CP2201EC

HORIZONTAL MIXED-FLOW PUMPS

Model HZ Bore 500~1500mm (20~60in)



EBARA HORIZONTAL MIXED-FLOW PUMPS

Applications

River water drainage; Water transfer for sewerage works
 Irrigation and drainage for agricultural
 Water intake/transfer for general industrial

Specifications

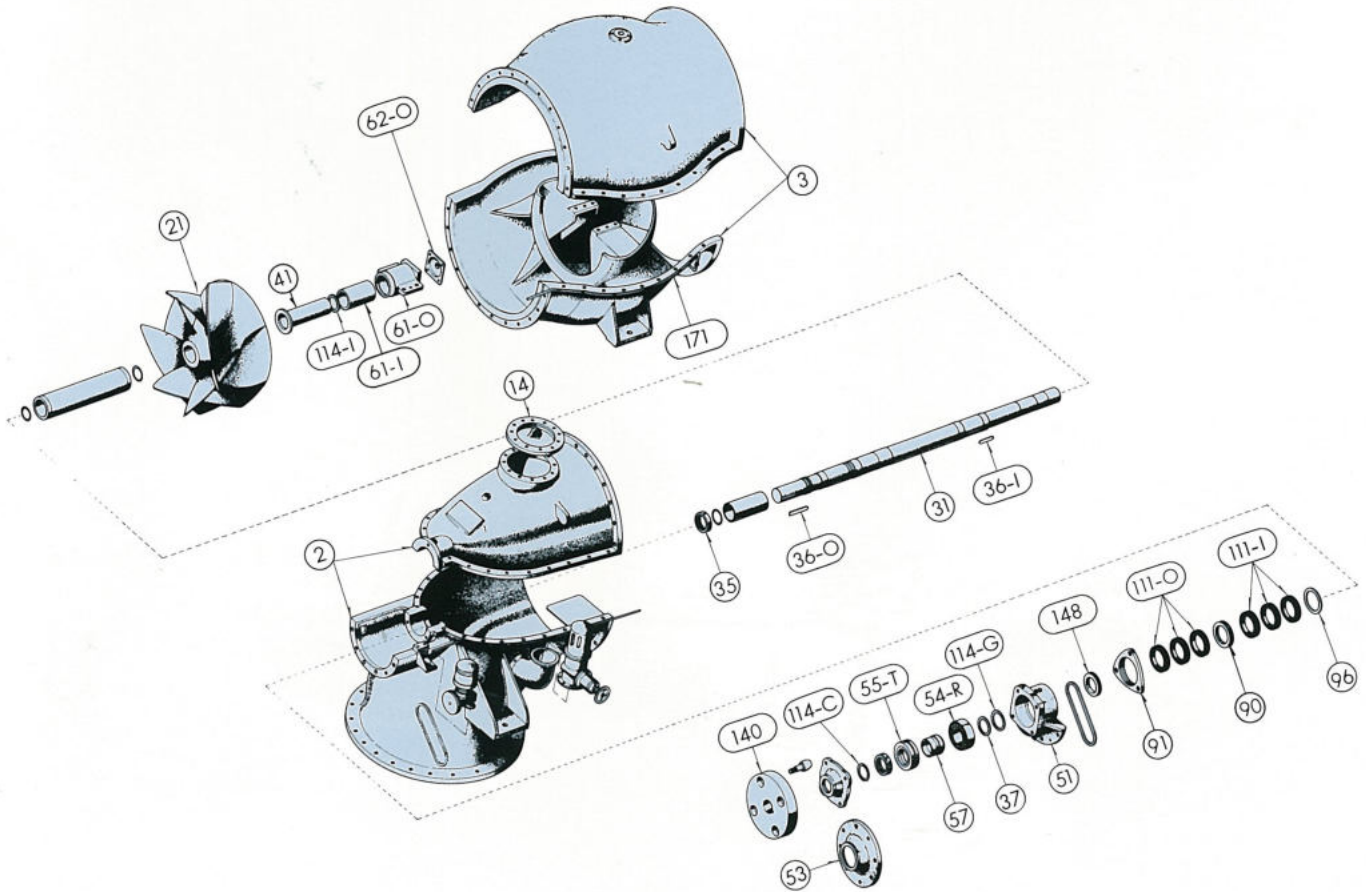
Bore 500 ~ 1500mm (20 ~ 60in)
 Capacity 21 ~ 340m³/min (5500 ~ 90000 USGPM)
 Total head 2 ~ 10m (6.6 ~ 33ft)
 Liquid Fresh water, River water, Sea water, etc.
 Temperature 0 ~ 45°C (32 ~ 110°F)

Features

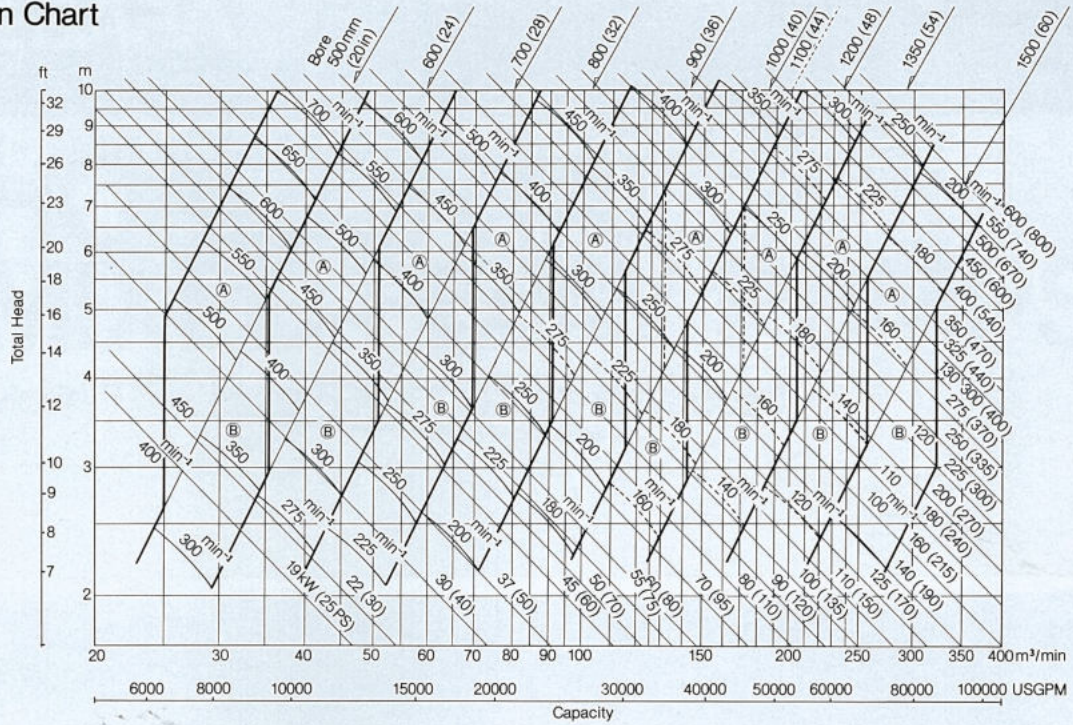
- Split case design permits easy maintenance
- High efficiency over a wide range
- Guaranteed high performance, quality and prompt delivery

Construction

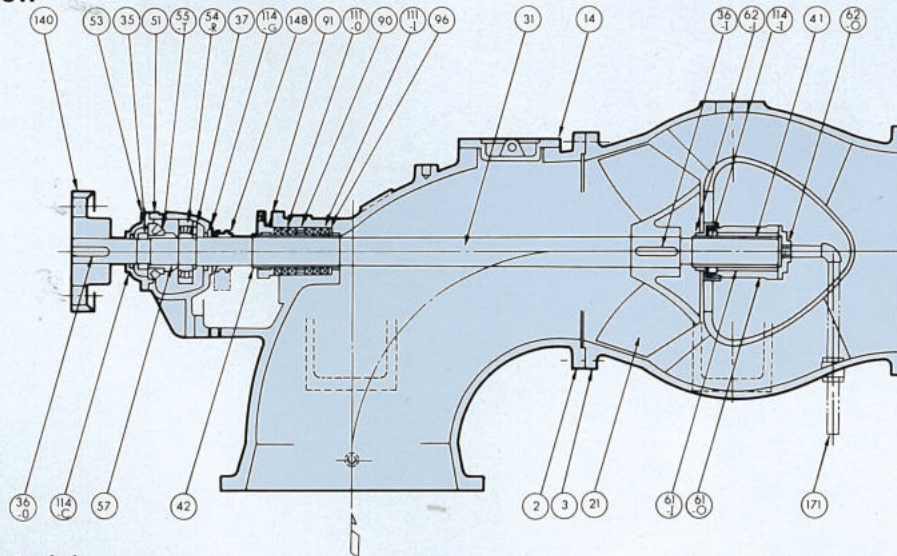
Direction of rotation CW (viewed from driver)
 Impeller Semi-open type
 Thrust bearing Roller bearing
 Radial bearing Ball bearing
 Accessories Grease lubrication unit, Pump base, Shaft coupling, Vacuum breaker, Anchor bolts



Selection Chart



Sectional View

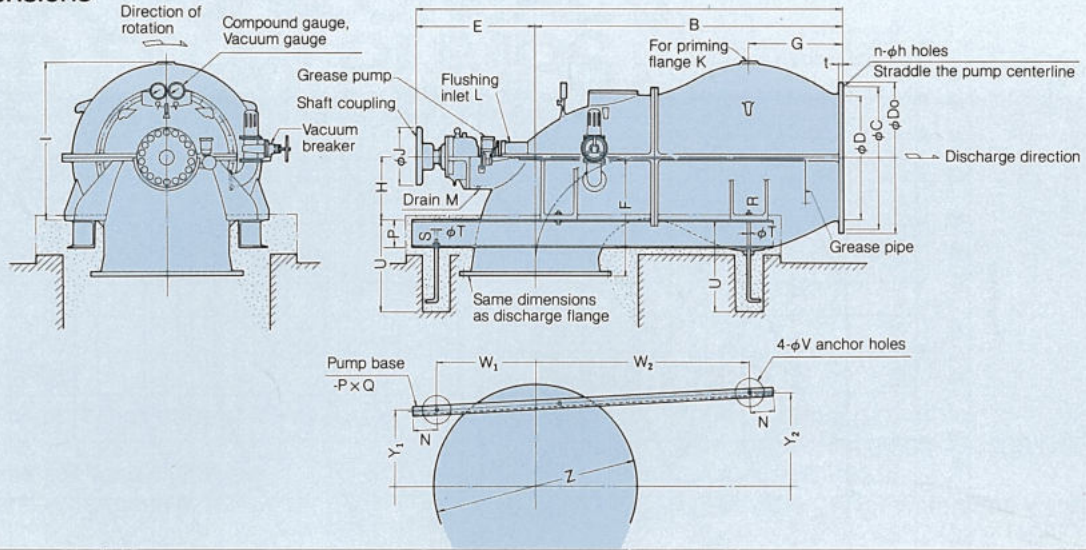


Standard Material

Part No.	Part Name	Material	Q'ty	Part No.	Part Name	Material	Q'ty
2	Suction casing	Cast Iron	1	61-I	Submerged bearing metal	Special alloy	1
3	Guide casing	Cast Iron	1	61-O	Submerged bearing housing	Cast Iron	1
14	Inspection hole cover	Cast Iron	1	62-I	Seal cover	Cast Iron	1
21	Impeller	Bronze	1	62-O	Submerged bearing cover	Cast Iron	1
31	Pump shaft	Carbon Steel	1	90	Lantern ring	Bronze	1
35	Shaft nut	Carbon Steel	1	91	Gland	Bronze	1
36-I	Impeller key	Carbon Steel	1	96	Packing plate	Rolled Steel	1
36-O	Coupling key	Carbon Steel	1	111-I	Packing	Carbonized fiber	1 set
37	Distance piece	Rolled Steel	1	111-O	Packing	Carbonized fiber	1 set
41	Bearing sleeve	Stainless Steel	1	114-C	Oil seal	—	1
42	Packing sleeve	Stainless Steel	1	114-G	Oil seal	—	1
51	Bearing housing	Cast Iron	1	114-I	Oil seal	—	1
53	Bearing cover	Cast Iron	1	140	Coupling	Cast Iron	1
54-R	Ball bearing	—	1	148	V belt pulley (for grease pump)	Carbon Steel	1
55-T	Roller bearing	—	1	171	Grease pipe	Brass	1 set
57	Journal	Carbon Steel	1				

Note: Above material combination is a standard selection for fresh water or river water. Other materials are also available.

Outline Dimensions



(UNIT: mm)

Bore	Pump							Flange*1				Coupling	Small piping		
D	A	B	E	F	G	H	I	Do	C	t	n-h	J	K	L	M
500A	1885	1160	725	475	310	250	613	706	639	31	12-27	280	2 in	3/4 in	3/4 in
500B	1960	1235			385		664								
600A	2150	1395	755	570	375	300	714	810	743	32	16-27	315	2 in	3/4 in	3/4 in
600B	2225	1470			450		772								
700A	2480	1640	840	665	450	350	822	928	854	33	16-33	355	2 in	3/4 in	3/4 in
700B	2555	1715			525		889								
800A	2745	1885	860	760	525	400	939	1034	960	36	20-33	400	2 in	3/4 in	3/4 in
800B	2820	1960			600		1015								
900A	3090	2130	960	855	600	450	1065	1156	1073	38	20-33	450	2 in	3/4 in	3/4 in
900B	3165	2205			675		1154								
1000A	3395	2375	1020	950	675	500	1204	1262	1179	39	24-33	560	2 in	1 in	1 in
1000B	3470	2450			750		1288								
1100A	3740	2620	1120	1045	750	550	1252	1366	1283	41	24-33	560	2 1/2 in	1 in	1 in
1100B	3815	2695			825		1336								
1200A	4035	2865	1170	1140	825	600	1386	1470	1387	43	28-33	630	2 1/2 in	1 in	1 in
1200B	4110	2940			900		1509								
1350A	4480	3200	1280	1285	900	675	1584	1642	1552	46	28-39	630	3 in	1 in	1 in
1350B	4595	3315			1015		1713								
1500A	4955	3565	1390	1425	1015	750	1788	1800	1710	48	32-39	710	3 in	1 in	1 in
1500B	5065	3675			1125		1930								

Bore	Base & Anchor bolt						Foundation						
D	N	P x Q	R	S	T	U	V	W ₁	W ₂	Y ₁	Y ₂	Z	
500A	170	200 x 80	65	55	22	500	200	470	850	960	650	950	
500B								500		910	750		
600A	170	200 x 80	65	55	22	500	200	530	1020	1050	750	1100	
600B								570		980	900		
700A	190	250 x 90	70	60	24	630	225	620	1190	1130	900	1250	
700B								650		1050	1050		
800A	190	250 x 90	70	60	24	630	225	640	1360	1230	1050	1350	
800B								670		1160	1200		
900A	220	250 x 90	85	70	30	800	275	720	1530	1350	1200	1500	
900B								750		1280	1350		
1000A	220	250 x 90	85	70	30	800	275	820	1700	1420	1350	1700	
1000B								850		1350	1500		
1100A	260	300 x 90	90	70	30	800	275	890	1870	1500	1500	1850	
1100B								930		1410	1650		
1200A	260	300 x 90	90	70	30	800	275	960	2040	1570	1650	2000	
1200B								990		1480	1800		
1350A	260	380 x 100	105	85	36	1000	300	1010	2300	1800	1800	2200	
1350B								1070		1650	2030		
1500A	260	380 x 100	105	85	36	1000	300	1090	2550	1920	2030	2400	
1500B								1150		1770	2250		

*1 Any standard flange can be applied, if required.
All specifications are subject to change without notice.



EBARA CORPORATION

Head Office
International Division
OVERSEAS OFFICES

Jakarta Office
Manila Office
Kuwait Office
Los Angeles Office
London Office
Singapore Office

11-1, Haneda Asahi-cho, Ota-ku, Tokyo, 144 Japan
Asahi Bldg., 6-7, Ginza 6-chome, Chuo-ku, Tokyo, 104 Japan
c/o P.T. Palmas Entraco Jl. Gunung Sahari Raya 57G, Jakarta Indonesia
c/o Clindisco Bldg. 2288 Pasong Tamo Extension, Makati, Rizal, Philippines
c/o Fawaz Ref. and Air Conditioning Co., P.O. Box 20423, Safat Kuwait
11222 La Cienega, Suite No. 459 Inglewood, Calif. 90304 U.S.A.
3rd Floor, Regal House, London Road, Twickenham, Middlesex, TW1 3QS, England
16 Raffles Quay #32-02A Hong Leong Bldg., Singapore 0104

Phone: Tokyo 743-6111
Phone: Tokyo 572-5611

Phone: 412908
Phone: 2-817-6662
Phone: 2446131
Phone: 213-641-3256
Phone: 1-892-8971
Phone: 2256066 (3 Lines)