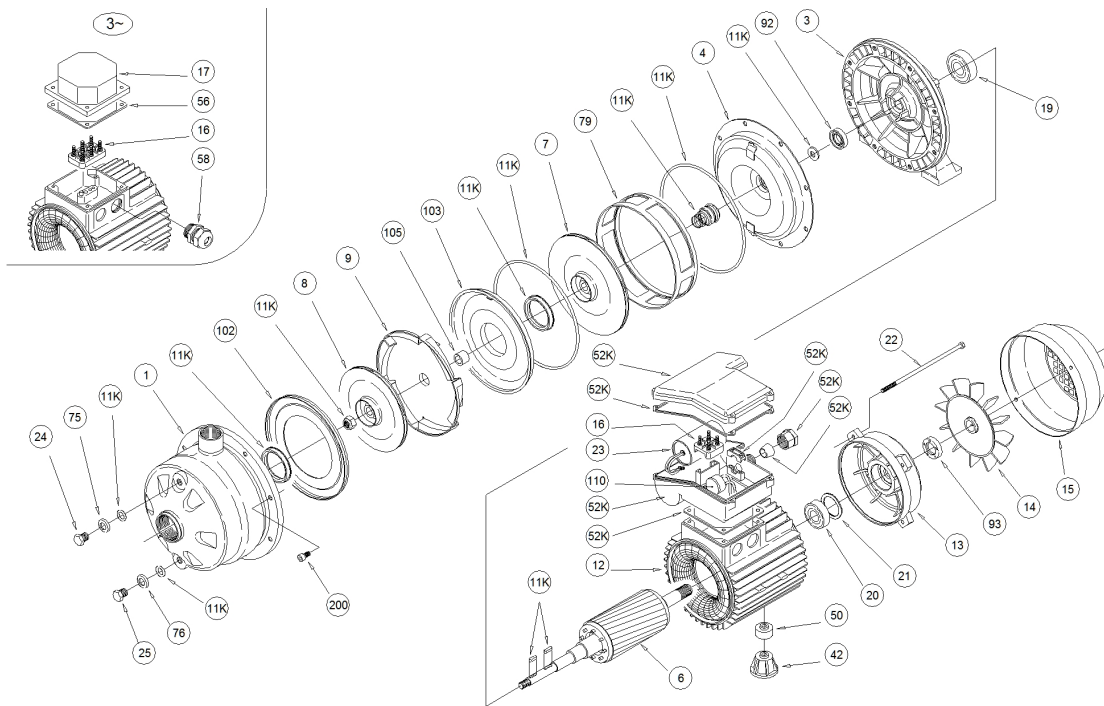


1611120000-2CDXM/A 70/12



1611120000-2CDXM/A 70/12

Position	Code	Description	Note	Qty
1	251420688	CASING		1
12	277930173	MOTOR		1
4	251402069	CASING COVER		1
102	251424008	SUCTION COVER		1
3	240280545	MOTOR BRAKET		1
103	251402068	CONVEYOR COVER		1
105	374434027	SPACER		1
9	251435024	DIFFUSER		1
11K	364500006	MECHANICAL SEAL KIT		1
16	365940253	TERMINAL BOARD		1
13	230225501	MOTOR COVER		1
7	251450721	IMPELLER		1
8	251450720	IMPELLER		1
24	375192107	PLUG		1
200	369641003	SCREW		8
14	369950017	FAN		1
25	375192107	PLUG		1
15	362250002	FAN COVER		1
19	360306210	BEARING		1
75	367667000	WASHER		1
20	360306211	BEARING		1
76	367667000	WASHER		1
21	360600035	SPACER RING		1
56	364700810	GASKET		1
92	360991522	SEAL RING		1
22	369305135	TIE ROD		4
42	371415013	FOOT		1
93	360991522	SEAL RING		1
79	251434144	SPACER		1
23	361410031	CAPACITOR		1
52K	352665058	TERMINAL BOX KIT		1
6	275412190	SHAFT		1