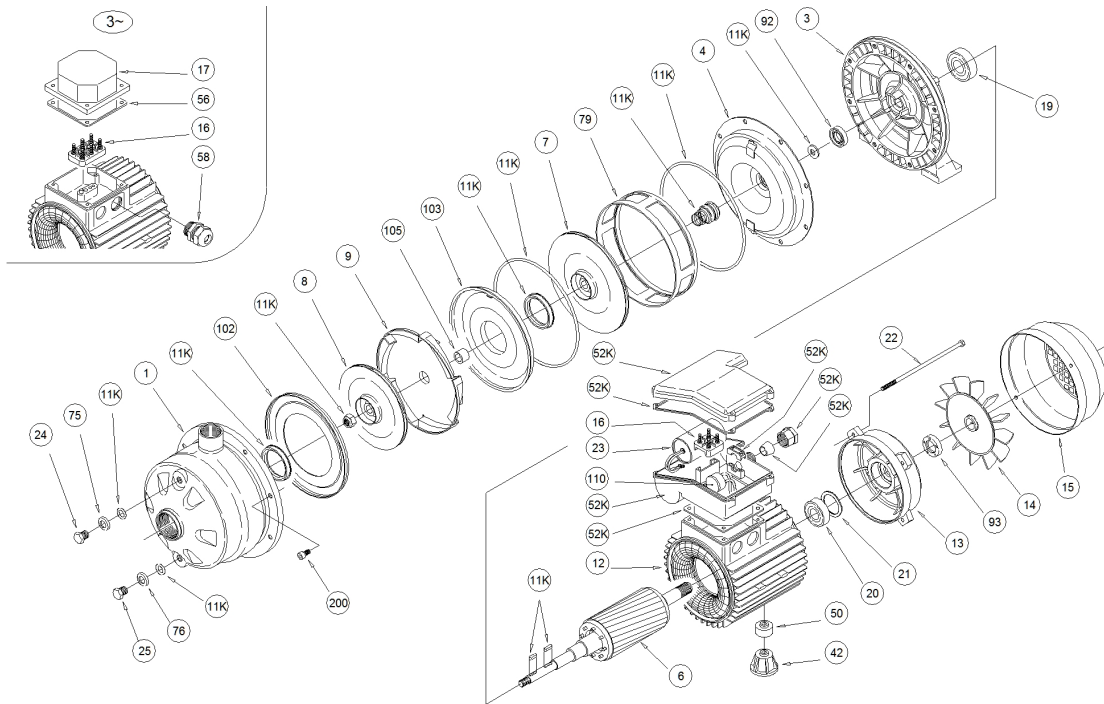


161120000B-2CDXM/B 70/20



1611200000B-2CDXM/B 70/20

Position	Code	Description	Note	Qty
1	251420692	CASING		1
102	251424012	SUCTION COVER		1
3	240280563	MOTOR BRAKET		1
103	251402089	CONVEYOR COVER		1
12	277930234	MOTOR		1
4	251402065	CASING COVER		1
105	374434027	SPACER		1
11K	364500006	MECHANICAL SEAL KIT		1
110	369450506	PROTECTOR		1
7	251450002	IMPELLER		1
8	251450721	IMPELLER		1
16	365940254	TERMINAL BOARD		1
24	375192107	PLUG		1
9	251435026	DIFFUSER		1
200	369641003	SCREW		8
25	375192107	PLUG		1
23	361410040	CAPACITOR		1
56	364700811	GASKET		1
75	367667000	WASHER		1
76	367667000	WASHER		1
52K	352665059	TERMINAL BOX KIT		1
92	360991522	SEAL RING		1
15	362250080	FAN COVER		1
21	360600040	ADJUSTING RING		1
6	276312700	SHAFT		1
13	230225089	MOTOR COVER		1
14	369950008	FAN		1
19	360306212	BEARING		1
20	360306210	BEARING		1
22	369305161	TIE ROD		4
42	371415015	FOOT		1
50	371415018	SPACER		1
79	251434146	SPACER		1