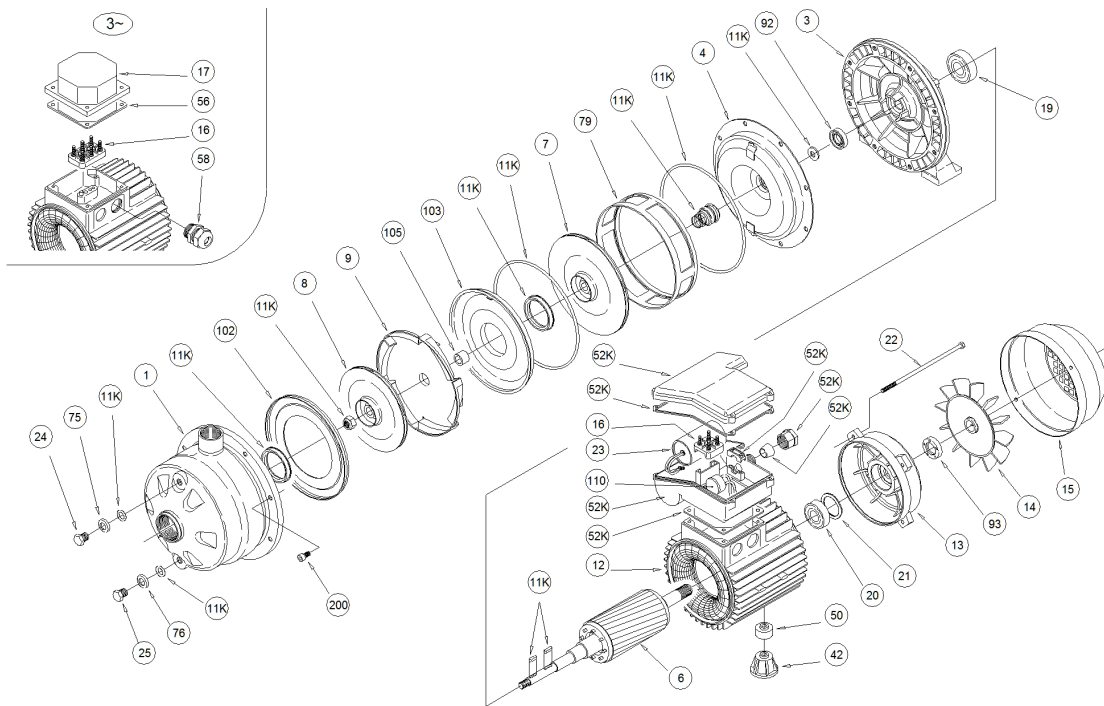


1989400004I-2CDX/I 120/40 IE3



1989400004I-2CDX/I 120/40 IE3

Position	Code	Description	Note	Qty
1	251420696	CASING		1
102	251424012	SUCTION COVER		1
3	240080565	MOTOR BRAKET		1
4	251402065	CASING COVER		1
105	374434027	SPACER		1
11K	364500006	MECHANICAL SEAL KIT		1
6	275312880	SHAFT		1
7	251450005	IMPELLER		1
16	365950326	TERMINAL		1
8	251450004	IMPELLER		1
24	375192107	PLUG		1
9	251435026	DIFFUSER		1
200	369641003	SCREW		8
14	369950017	FAN		1
25	375192107	PLUG		1
12	277930425I	MOTOR		1
56	364700811	GASKET		1
75	367667000	WASHER		1
13	230225115	MOTOR COVER		1
76	367667000	WASHER		1
92	360991522	SEAL RING		1
15	362250009	FAN COVER		1
17	363232008	TERMINAL BOX		1
19	360326305	BEARING		1
20	360326205	BEARING		1
21	360600052	ADJUSTING RING		1
42	371415013	FOOT		1
22	369305228	TIE ROD		4
93	360991531	LIP SEAL		1
103	251402071	CONVEYOR COVER		1
58	376565024	CABLE ENTRY		1
79	251434146	SPACER		1