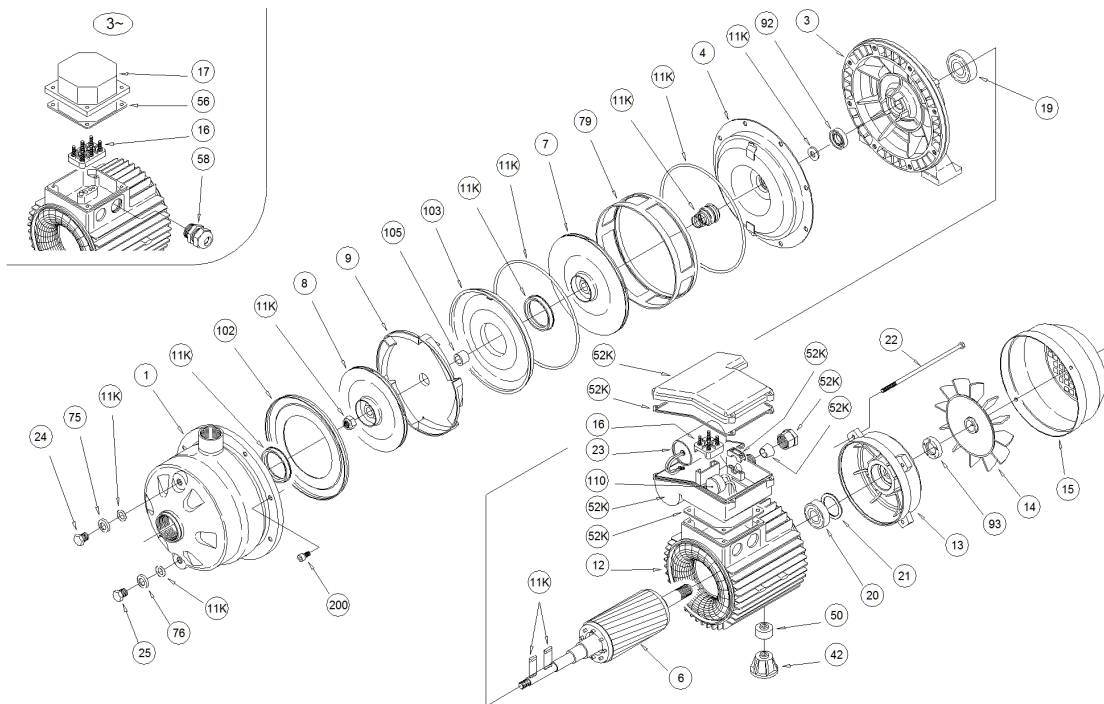


1611200004I-2CDX/I 70/20 IE3



1611200004I-2CDX/I 70/20 IE3

Position	Code	Description	Note	Qty
1	251420692	CASING		1
102	251424012	SUCTION COVER		1
3	240280563	MOTOR BRAKET		1
103	251402089	CONVEYOR COVER		1
4	251402065	CASING COVER		1
105	374434027	SPACER		1
11K	364500006	MECHANICAL SEAL KIT		1
6	275312857	SHAFT		1
7	251450002	IMPELLER		1
16	365950326	TERMINAL		1
8	251450721	IMPELLER		1
12	277930236I	MOTOR		1
24	375192107	PLUG		1
9	251435026	DIFFUSER		1
200	369641003	SCREW		8
25	375192107	PLUG		1
56	364700811	GASKET		1
75	367667000	WASHER		1
13	230225090	MOTOR COVER		1
76	367667000	WASHER		1
14	369950000	FAN		1
92	360991522	SEAL RING		1
15	362250080	FAN COVER		1
17	363232008	TERMINAL BOX		1
19	360326212	BEARING		1
20	360326210	BEARING		1
21	360600040	ADJUSTING RING		1
22	369393018	TIE ROD		4
42	371415015	FOOT		1
50	371415018	SPACER		1
58	376565024	CABLE ENTRY		1
79	251434146	SPACER		1