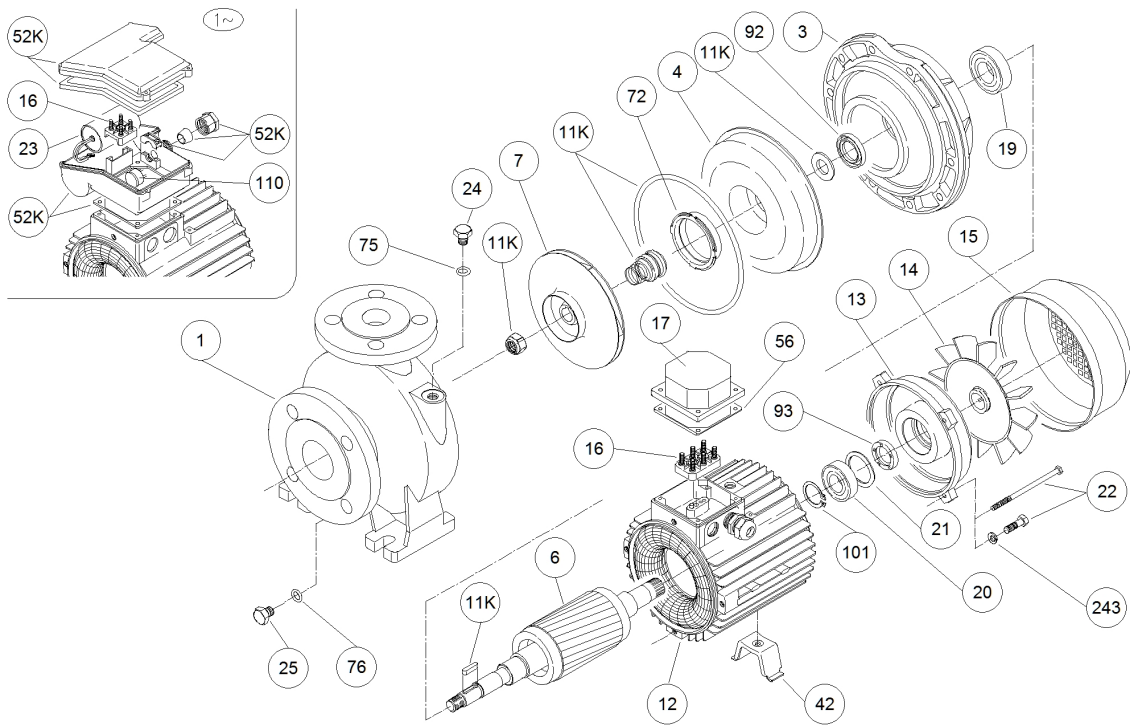


2542150004I-3D/I 50-200/9.2 IE3



2542150004I-3D/I 50-200/9.2 IE3

| Position | Code       | Description         | Note | Qty |
|----------|------------|---------------------|------|-----|
| 1        | 245021078  | BOTTOM CASING       |      | 1   |
| 3        | 240080393  | MOTOR BRACKET       |      | 1   |
| 4        | 259438007  | CASING COVER        |      | 1   |
| 6        | 275412409  | SHAFT               |      | 1   |
| 7        | 251450668  | IMPELLER            |      | 1   |
| 13       | 230225510  | MOTOR COVER         |      | 1   |
| 14       | 369950008  | FAN                 |      | 1   |
| 15       | 362250132  | FAN COVER           |      | 1   |
| 16       | 365970456  | TERMINAL            |      | 1   |
| 17       | 363232009  | TERMINAL BOX        |      | 1   |
| 19       | 360306308  | BEARING             |      | 1   |
| 20       | 360306208  | BEARING             |      | 1   |
| 21       | 360600080  | ADJUSTING RING      |      | 1   |
| 22       | 369393201  | TIE ROD             |      | 4   |
| 24       | 375192500  | PLUG                |      | 1   |
| 25       | 375192500  | PLUG                |      | 1   |
| 42       | 371415012  | FOOT                |      | 1   |
| 56       | 364700812  | GASKET              |      | 1   |
| 58       | 366550021  | PRIMING PLUG        |      | 1   |
| 75       | 360620003  | WASHER              |      | 1   |
| 76       | 360620003  | WASHER              |      | 1   |
| 92       | 360991526  | LIP SEAL            |      | 1   |
| 93       | 360991526  | LIP SEAL            |      | 1   |
| 101      | 360601400  | SEEGER RING         |      | 1   |
| 11K      | 364500000  | MECHANICAL SEAL KIT |      | 1   |
| 12       | 277952433I | MOTOR               |      | 1   |