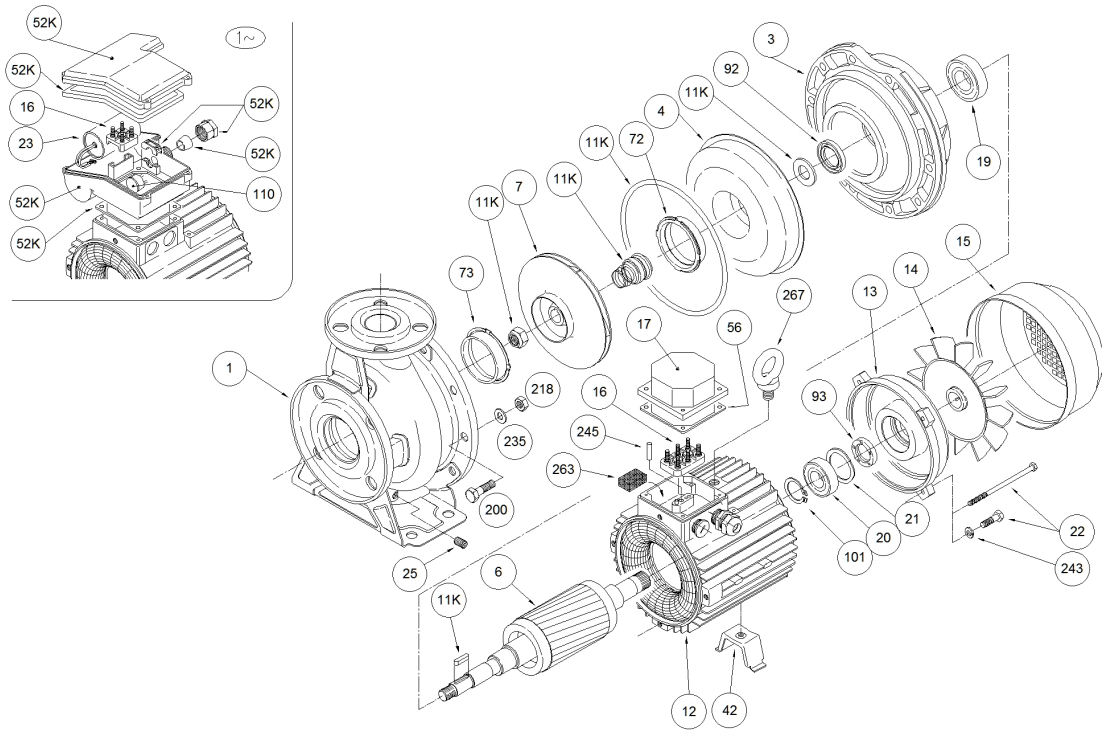


1300200000-3M 32-125/1,1 M



1300200000-3M 32-125/1,1 M

Position	Code	Description	Note	Qty
11K	364500000	MECHANICAL SEAL KIT		1
13	230225504	MOTOR COVER		1
15	362250009	FAN COVER		1
21	360600052	ADJUSTING RING		1
56	364700811	GASKET		1
92	360991531	LIP SEAL		1
93	360991531	LIP SEAL		1
1	259419027	BOTTOM CASING		1
14	369950009	FAN		1
19	360316205	BEARING		1
20	360316205	BEARING		1
22	369305165	TIE ROD		4
3	240080367	MOTOR BRACKET		1
200	369610308	BOLT		8
218	363301080	NUT		8
4	251438000	CASING COVER		1
42	371415011	FOOT		1
7	251450632	IMPELLER		1
73	251410000	CASING RING		1
25	369631000	PLUG		1
110	369450509	PROTECTOR		1
12	257930271	MOTOR FRAME		1
16	365940254	TERMINAL BOARD		1
23	361410031	CAPACITOR		1
52K	352665059	TERMINAL BOX KIT		1
6	275412281	SHAFT		1