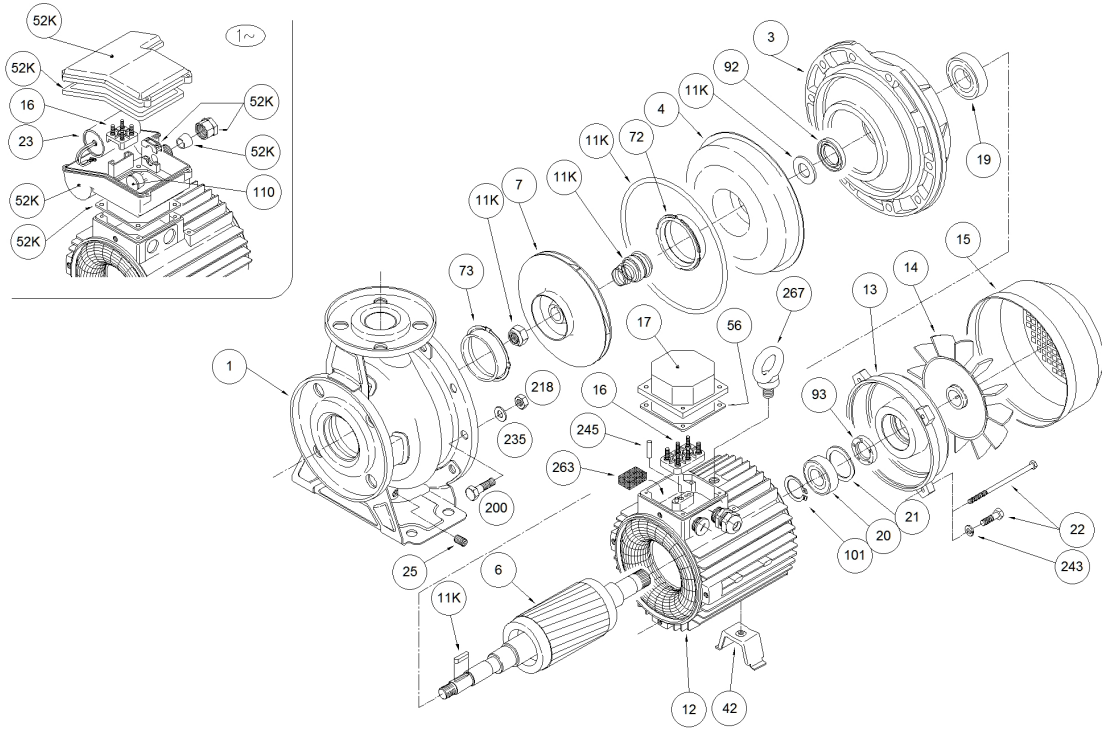


1300202400-3M 32-160/1,5 M



1300202400-3M 32-160/1,5 M

Position	Code	Description	Note	Qty
11K	364500000	MECHANICAL SEAL KIT		1
13	230225504	MOTOR COVER		1
15	362250009	FAN COVER		1
21	360600052	ADJUSTING RING		1
56	364700811	GASKET		1
92	360991531	LIP SEAL		1
93	360991531	LIP SEAL		1
1	259419001	BOTTOM CASING		1
3	240080365	MOTOR BRACKET		1
14	369950009	FAN		1
19	360316205	BEARING		1
20	360316205	BEARING		1
22	369305165	TIE ROD		4
200	369611000	BOLT		10
218	363301005	NUT		10
4	251438001	CASING COVER		1
42	371415000	FOOT		1
7	251450013	IMPELLER		1
73	251410000	CASING RING		1
25	369631000	PLUG		1
16	365940254	TERMINAL BOARD		1
52K	352665059	TERMINAL BOX KIT		1
110	369450517	PROTECTOR		1
12	257930281	MOTOR FRAME		1
23	361410040	CAPACITOR		1
6	275412282	SHAFT		1