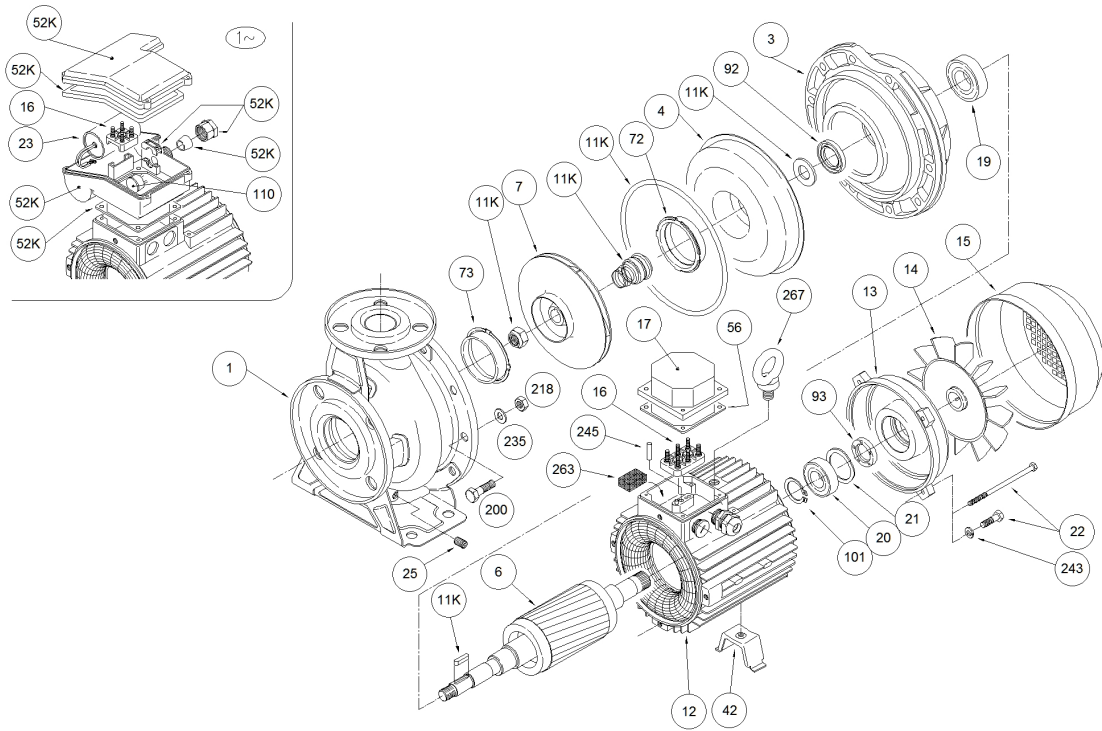


1310550004I-3M/I 32-200/4 IE3



1310550004I-3M/I 32-200/4 IE3

| Position | Code | Description | Note | Qty |
|----------|------------|---------------------|------|-----|
| 1 | 259419003 | BOTTOM CASING | | 1 |
| 11K | 364500000 | MECHANICAL SEAL KIT | | 1 |
| 17 | 363232008 | TERMINAL BOX | | 1 |
| 20 | 360326205 | BEARING | | 1 |
| 200 | 369611000 | BOLT | | 12 |
| 21 | 360600052 | ADJUSTING RING | | 1 |
| 218 | 363301005 | NUT | | 12 |
| 235 | 360610010 | WASHER | | 12 |
| 4 | 259438002 | CASING COVER | | 1 |
| 56 | 364700811 | GASKET | | 1 |
| 93 | 360991531 | LIP SEAL | | 1 |
| 15 | 362250100 | FAN COVER | | 1 |
| 16 | 365956366 | TERMINAL | | 1 |
| 3 | 240080392 | MOTOR BRACKET | | 1 |
| 42 | 371415003 | FOOT | | 1 |
| 7 | 251450011 | IMPELLER | | 1 |
| 92 | 360991525 | LIP SEAL | | 1 |
| 19 | 360336206 | BEARING | | 1 |
| 14 | 369950017 | FAN | | 1 |
| 73 | 251410000 | CASING RING | | 1 |
| 72 | 251410000 | CASING RING | | 1 |
| 13 | 230225117 | MOTOR COVER | | 1 |
| 22 | 369393311 | TIE ROD | | 4 |
| 6 | 275412861 | SHAFT | | 1 |
| 12 | 277930421I | MOTOR | | 1 |
| 58 | 376565024 | CABLE ENTRY | | 1 |