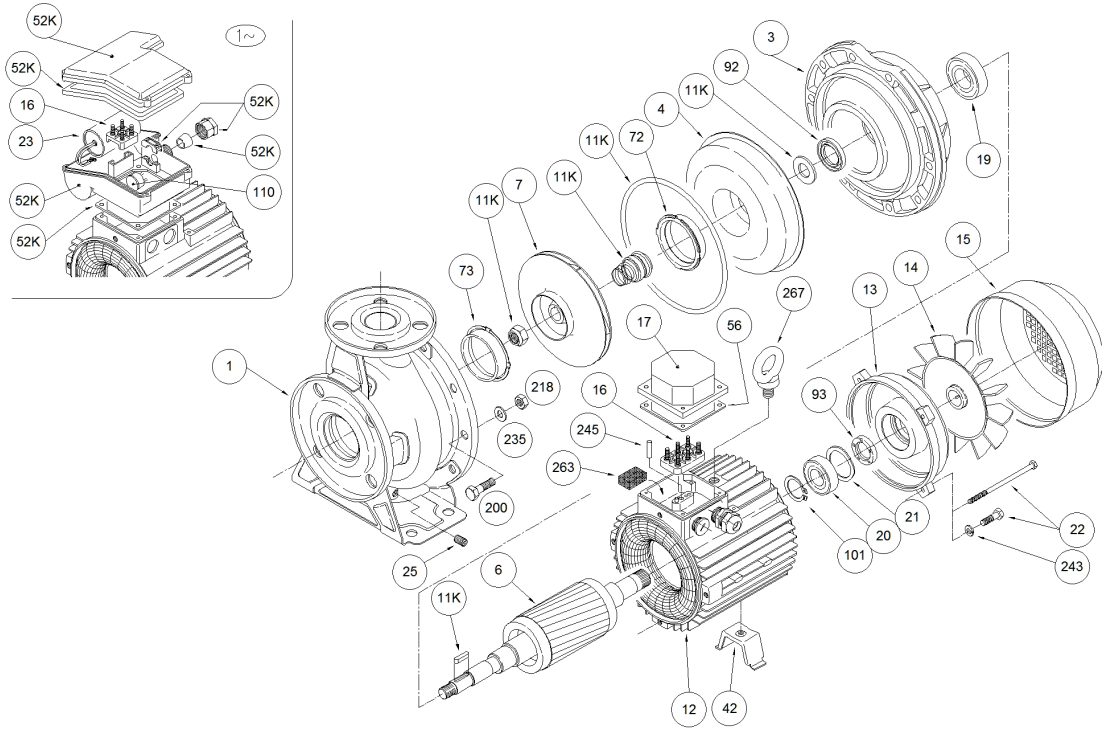


1330970006I-3M/I 50-200/9,2 IE3



1330970006I-3M/I 50-200/9,2 IE3

Position	Code	Description	Note	Qty
11K	364500000	MECHANICAL SEAL KIT		1
14	369950008	FAN		1
200	369611000	BOLT		12
4	259438007	CASING COVER		1
1	259419031	BOTTOM CASING		1
3	240080393	MOTOR BRACKET		1
17	363232009	TERMINAL BOX		1
56	364700812	GASKET		1
59	369200580	PLUG		1
7	251450668	IMPELLER		1
6	275412409	SHAFT		1
13	230225510	MOTOR COVER		1
20	360306208	BEARING		1
19	360306308	BEARING		1
21	360600080	ADJUSTING RING		1
101	360601400	SEEGER RING		1
92	360991526	LIP SEAL		1
93	360991526	LIP SEAL		1
15	362250132	FAN COVER		1
16	365970456	TERMINAL		1
58	366550021	PRIMING PLUG		1
22	369393201	TIE ROD		4
42	371415012	FOOT		1
73	251410005	CASING RING		1
72	251410005	CASING RING		1
12	277952433I	MOTOR		1