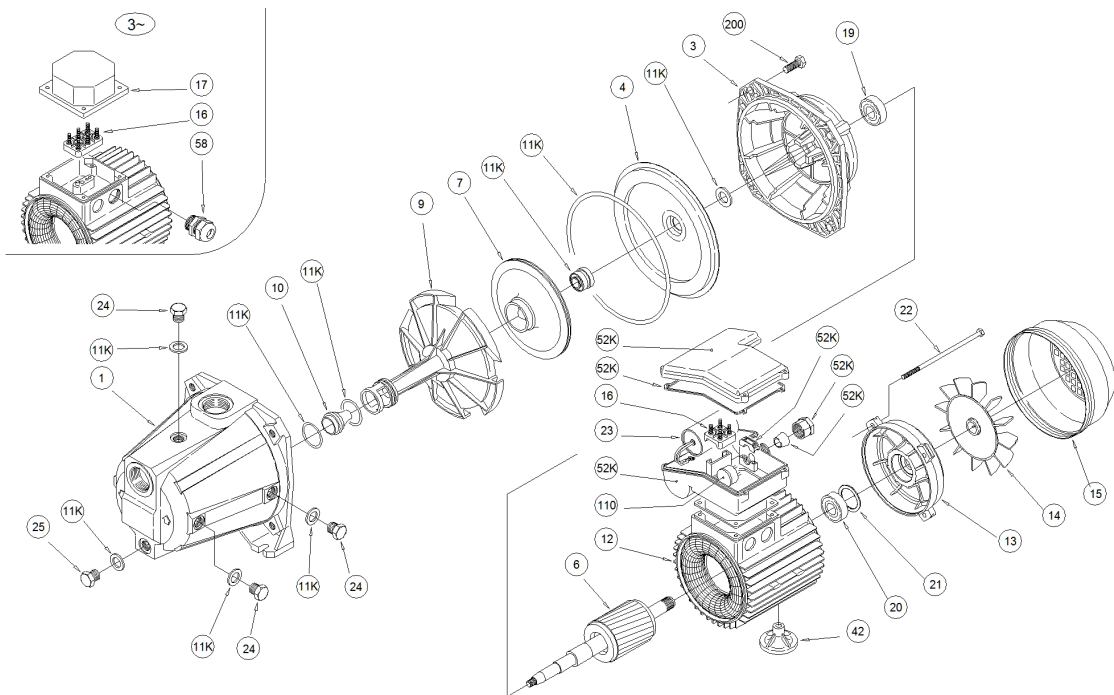


1100100100-AGA 1.00 M GIRANTE OTTONE



1100100100-AGA 1.00 M GIRANTE OTTONE

Position	Code	Description	Note	Qty
1	240020000	CASING		1
10	342595003	VENTURI NOZZLE		1
3	240280001	MOTOR BRAKET		1
11K	364500013	MECHANICAL SEAL		1
4	241438000	CASING COVER		1
13	230225501	MOTOR COVER		1
7	240150032	IMPELLER		1
15	362250002	FAN COVER		1
9	342535001	DIFFUSER		1
19	360306211	BEARING		1
20	360306211	BEARING		1
200	369600006	SCREW		4
21	360600035	SPACER RING		1
22	369305135	TIE ROD		4
24	375192001	PLUG		3
25	375192001	PLUG		3
42	342572001	FOOT		1
16	365940253	TERMINAL BOARD		1
52K	352665057	TERMINAL BOX KIT		1
14	369950017	FAN		1
12	277930011	MOTOR FRAME		1
23	361410020	CAPACITOR		1
6	275412707	SHAFT		1