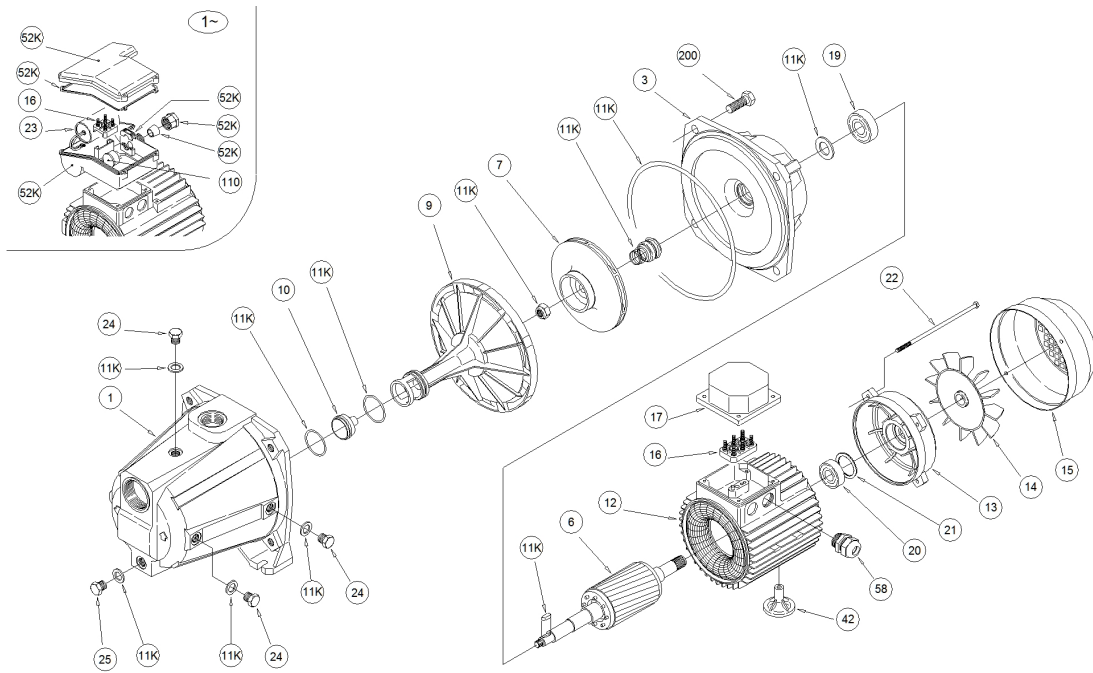


112020004I-AGC/I 2.00 T IE3



112020004I-AGC/I 2.00 T IE3

Position	Code	Description	Note	Qty
1	240020002	CASING		1
10	342595001	VENTURI NOZZLE		1
3	240080002	MOTOR BRAKET		1
11K	364500024	MECHANICAL SEAL		1
6	275412796	SHAFT		1
7	240150506	IMPELLER		1
9	342535002	DIFFUSER		1
12	277930236I	MOTOR		1
200	369600049	SCREW		4
13	230225090	MOTOR COVER		1
21	360600040	ADJUSTING RING		1
14	369950000	FAN		1
15	362250080	FAN COVER		1
16	365950326	TERMINAL		1
24	375192001	PLUG		3
17	363232031	TERMINAL BOX		1
25	375192001	PLUG		3
19	360326212	BEARING		1
42	342572003	FOOT		1
20	360326210	BEARING		1
22	369393018	TIE ROD		4
58	376565024	CABLE ENTRY		1