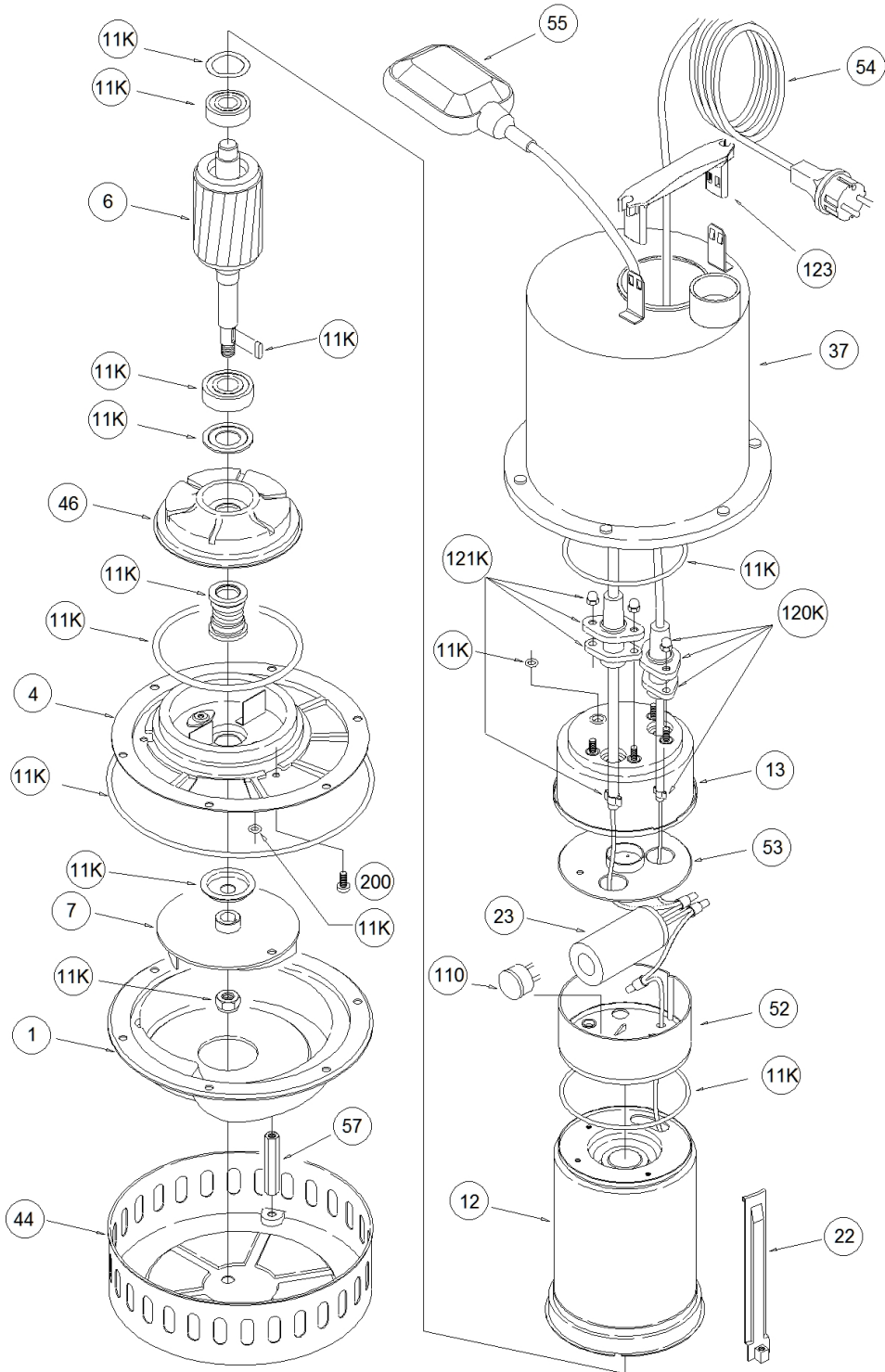


1731151221-BEST 4 M



1731151221-BEST 4 M

Position	Code	Description	Qty
123	251460028	HANDLE	1
1	241445001	CASING	1
200	369600038	SCREW	3
4	251402021	MOTOR FLANGE	1
44	241446001	STRAINER	1
46	240480007	BEARING HOUSING	1
52	372582001	TERMINAL INSULATING BOX	1
53	372524003	BOX COVER	1
57	375434003	SPACER	3
120K	352665014	KIT CABLE CONNECTOR	1
54	367900013	CABLE	1
13	251402011	MOTOR COVER	1
22	369302017	TIE ROD	3
37	251402013	EXTERNAL PUMP CASING	1
6	275412011	SHAFT	1
11K	364500017	MECHANICAL SEAL KIT	1
12	257902009	MOTOR FRAME	1
23	361401315	CAPACITOR	1
7	241450026	IMPELLER	1