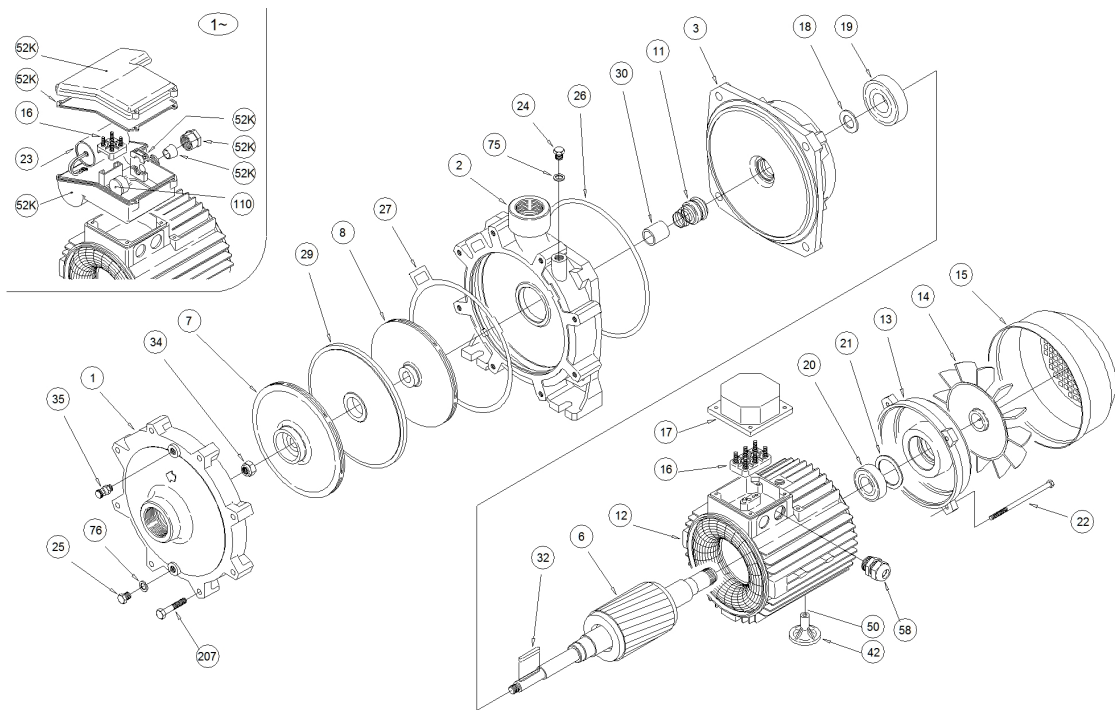


1210200000A-CDA/A 2.00 M



1210200000A-CDA/A 2.00 M

Position	Code	Description	Note	Qty
1	240020010	CASING		1
2	240020011	CASING		1
3	240080000	MOTOR BRAKET		1
7	240150013	IMPELLER		1
8	240150014	IMPELLER		1
11	360409003	MECHANICAL SEAL		1
18	367650190	SPLASH RING		1
21	360600040	ADJUSTING RING		1
24	375192000	PLUG		1
25	375192000	PLUG		1
26	360931710	O-RING		1
27	364800100	GASKET		1
29	240037001	INTERMEDIATE CASING		1
30	345134002	MECHANICAL SEAL SPACER		1
34	363300011	NUT		1
35	369200601	AIR BREATHER VALVE		1
42	342572002	FOOT		1
75	360620002	WASHER		1
76	360620002	WASHER		1
12	277930234	MOTOR		1
14	369950008	FAN		1
15	362250004	FAN COVER		1
16	365940254	TERMINAL BOARD		1
19	360306212	BEARING		1
20	360306210	BEARING		1
207	369600007	SCREW		8
23	361410040	CAPACITOR		1
32	361305530	KEY		1
52K	352665059	TERMINAL BOX KIT		1
6	275412756	SHAFT		1
22	369305161	TIE ROD		4
110	369450505	PROTECTOR		1
13	230225091	MOTOR COVER		1