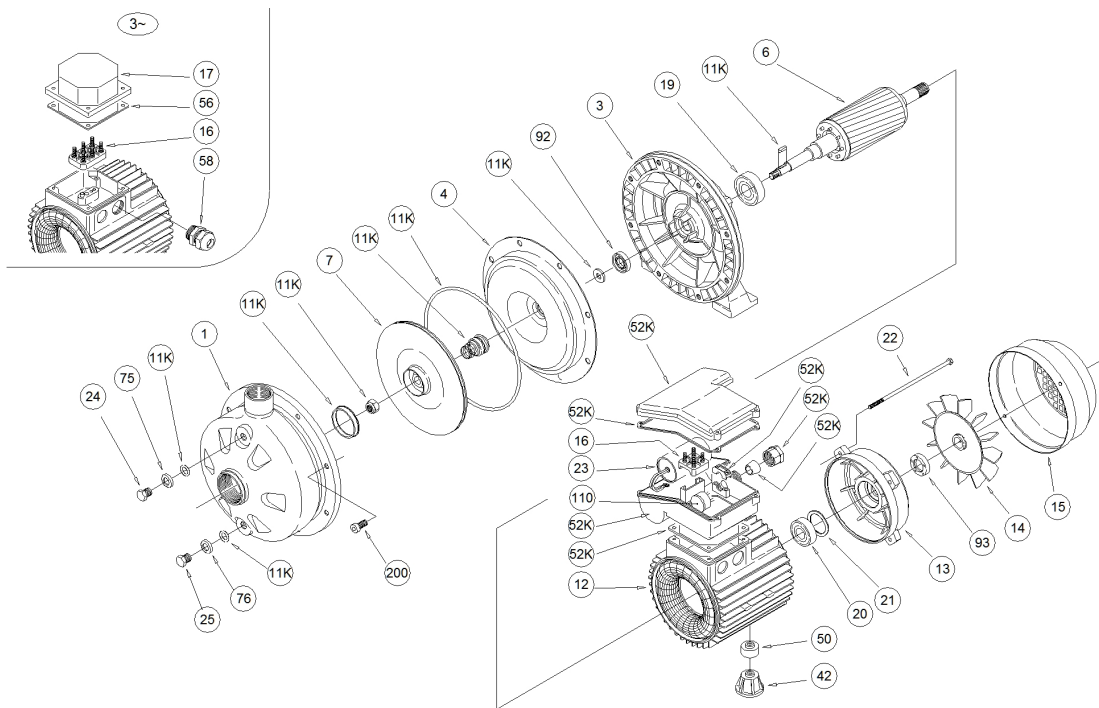


163520000B-CDXM/B 200/20



1635200000B-CDXM/B 200/20

Position	Code	Description	Note	Qty
3	240280546	MOTOR BRAKET		1
4	251438005	CASING COVER		1
7	251450007	IMPELLER		1
11K	364500003	MECHANICAL SEAL KIT		1
15	362250080	FAN COVER		1
21	360600040	ADJUSTING RING		1
24	375192107	PLUG		1
25	375192107	PLUG		1
42	371415015	FOOT		1
56	364700811	GASKET		1
75	367667000	WASHER		1
76	367667000	WASHER		1
92	360991522	SEAL RING		1
200	369600023	SCREW		12
1	251419017	CASING		1
14	369950008	FAN		1
19	360306212	BEARING		1
20	360306210	BEARING		1
13	230225089	MOTOR COVER		1
22	369305161	TIE ROD		4
52K	352665059	TERMINAL BOX KIT		1
6	276312758	SHAFT		1
12	277930234	MOTOR		1
93	360991523	LIP SEAL		1
23	361410040	CAPACITOR		1
16	365940254	TERMINAL BOARD		1
110	369450506	PROTECTOR		1