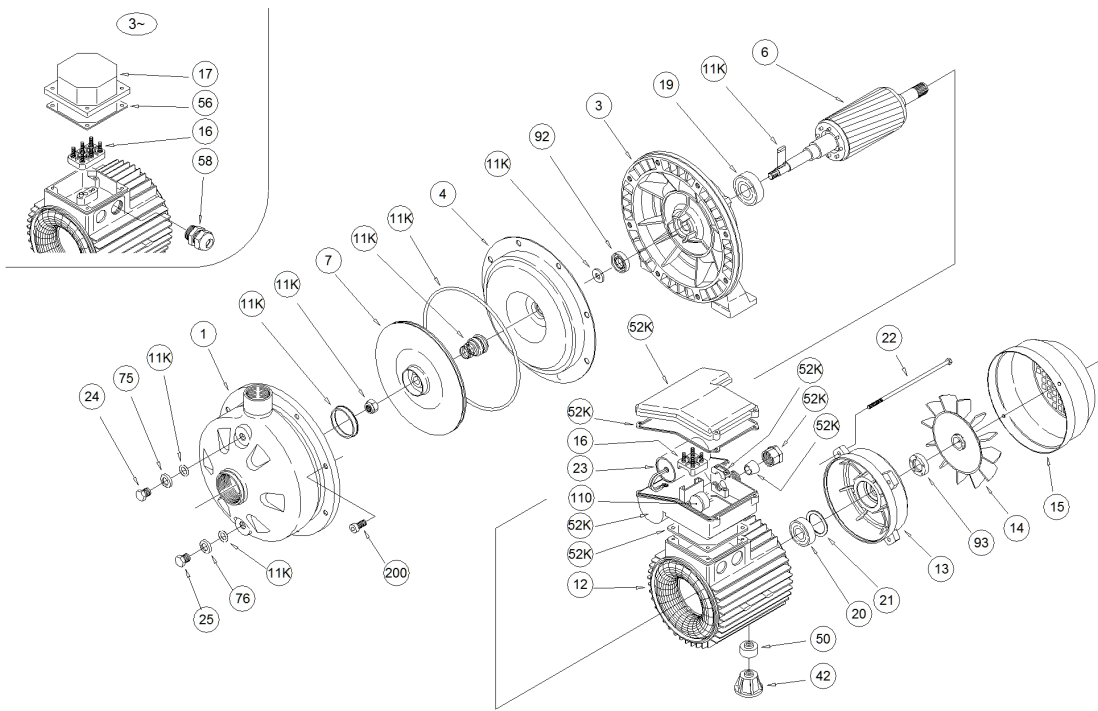


1625090004-CDX/A 120/07



1625090004-CDX/A 120/07

Position	Code	Description	Note	Qty
1	251419025	CASING		1
3	240280545	MOTOR BRAKET		1
4	251438005	CASING COVER		1
7	251450003	IMPELLER		1
11K	364500003	MECHANICAL SEAL KIT		1
13	230225501	MOTOR COVER		1
15	362250002	FAN COVER		1
16	365940256	TERMINAL		1
17	363232010	TERMINAL BOX		1
21	360600035	SPACER RING		1
22	369305135	TIE ROD		4
24	375192107	PLUG		1
25	375192107	PLUG		1
42	371415013	FOOT		1
56	364700810	GASKET		1
75	367667000	WASHER		1
76	367667000	WASHER		1
92	360991522	SEAL RING		1
93	360991522	SEAL RING		1
200	369600023	SCREW		8
58	366550010	CABLE ENTRY		1
14	369950017	FAN		1
19	360306210	BEARING		1
20	360306211	BEARING		1
6	275412551	SHAFT		1
12	277930752	MOTOR FRAME		1
14	369950017	FAN		1