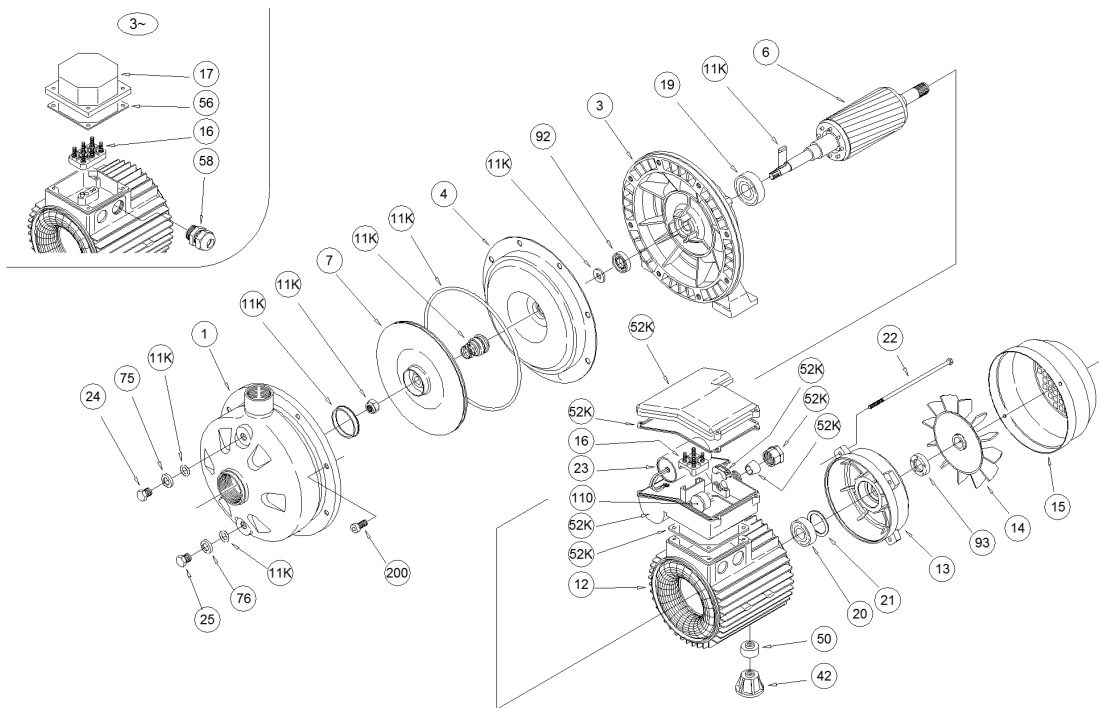


1615100504I-CDX/I 90/10 IE3



1615100504I-CDX/I 90/10 IE3

Position	Code	Description	Note	Qty
1	251419025	CASING		1
3	240280545	MOTOR BRAKET		1
4	251438005	CASING COVER		1
6	275412769	SHAFT		1
7	251450001	IMPELLER		1
11K	364500003	MECHANICAL SEAL KIT		1
12	277930180I	MOTOR		1
13	230225501	MOTOR COVER		1
14	369950014	FAN		1
15	362250002	FAN COVER		1
16	365940256	TERMINAL		1
17	363232010	TERMINAL BOX		1
21	360600035	SPACER RING		1
22	369305135	TIE ROD		4
24	375192107	PLUG		1
25	375192107	PLUG		1
42	371415013	FOOT		1
56	364700810	GASKET		1
58	376565023	CABLE ENTRY		1
75	367667000	WASHER		1
76	367667000	WASHER		1
92	360991522	SEAL RING		1
93	360991522	SEAL RING		1
200	369600023	SCREW		8
20	360316202	BEARING		1
19	360326203	BEARING		1