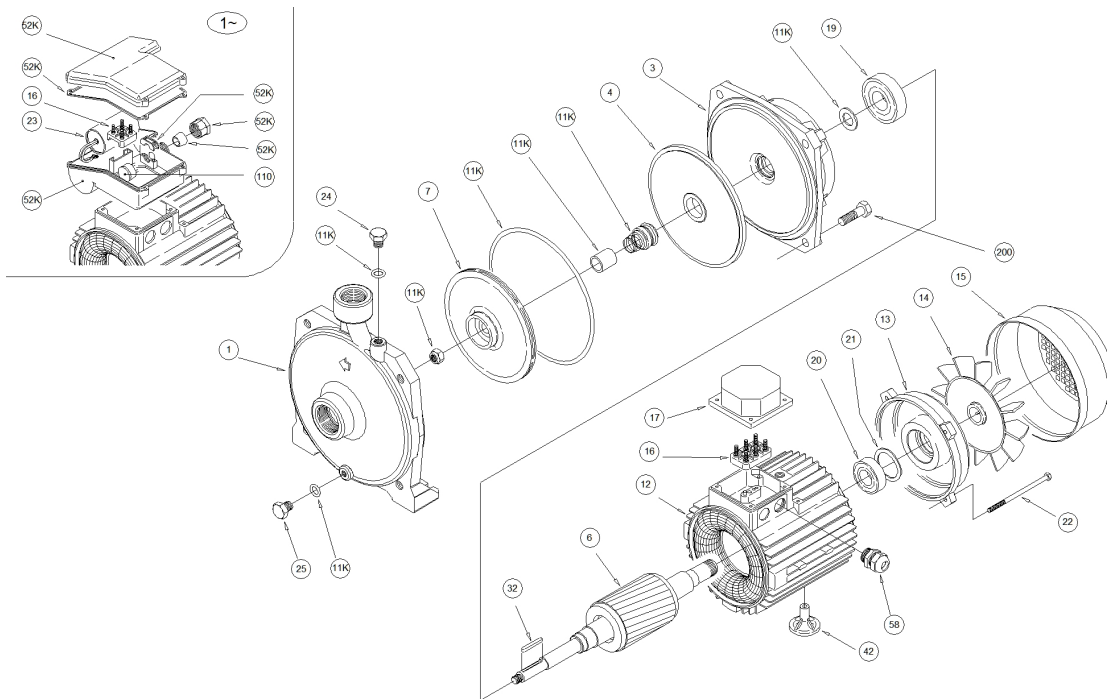


1160100100-CMA 1.00 M GIRANTE OTTONE



1160100100-CMA 1.00 M GIRANTE OTTONE

Position	Code	Description	Note	Qty
1	240020001	CASING		1
3	240280001	MOTOR BRAKET		1
4	241438000	CASING COVER		1
7	240150012	IMPELLER		1
11K	364500013	MECHANICAL SEAL		1
13	230225501	MOTOR COVER		1
14	369950017	FAN		1
15	362250002	FAN COVER		1
21	360600035	SPACER RING		1
22	369305135	TIE ROD		4
24	375192000	PLUG		1
25	375192000	PLUG		1
42	342572001	FOOT		1
200	369600005	SCREW		4
19	360306211	BEARING		1
20	360306211	BEARING		1
16	365940253	TERMINAL BOARD		1
52K	352665057	TERMINAL BOX KIT		1
12	277930174	MOTOR		1
23	361410020	CAPACITOR		1
6	275412719	SHAFT		1