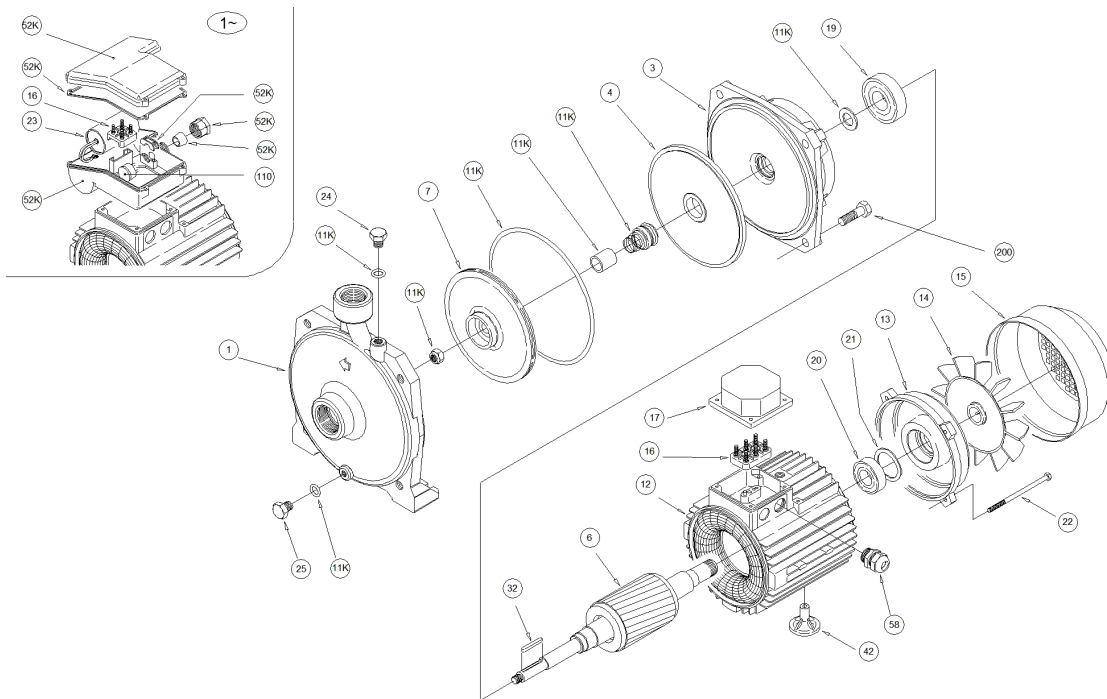


1160200000A-CMA/A 2.00 M



1160200000A-CMA/A 2.00 M

Position	Code	Description	Note	Qty
1	240020004	CASING		1
3	240080002	MOTOR BRAKET		1
7	240150508	IMPELLER		1
11K	364500024	MECHANICAL SEAL		1
21	360600040	ADJUSTING RING		1
24	375192000	PLUG		1
25	375192000	PLUG		1
42	342572003	FOOT		1
200	369600049	SCREW		4
12	277930234	MOTOR		1
13	230225091	MOTOR COVER		1
14	369950008	FAN		1
15	362250004	FAN COVER		1
16	365940254	TERMINAL BOARD		1
19	360306212	BEARING		1
20	360306210	BEARING		1
22	369305161	TIE ROD		4
23	361410040	CAPACITOR		1
52K	352665059	TERMINAL BOX KIT		1
6	275412753	SHAFT		1
110	369450505	PROTECTOR		1