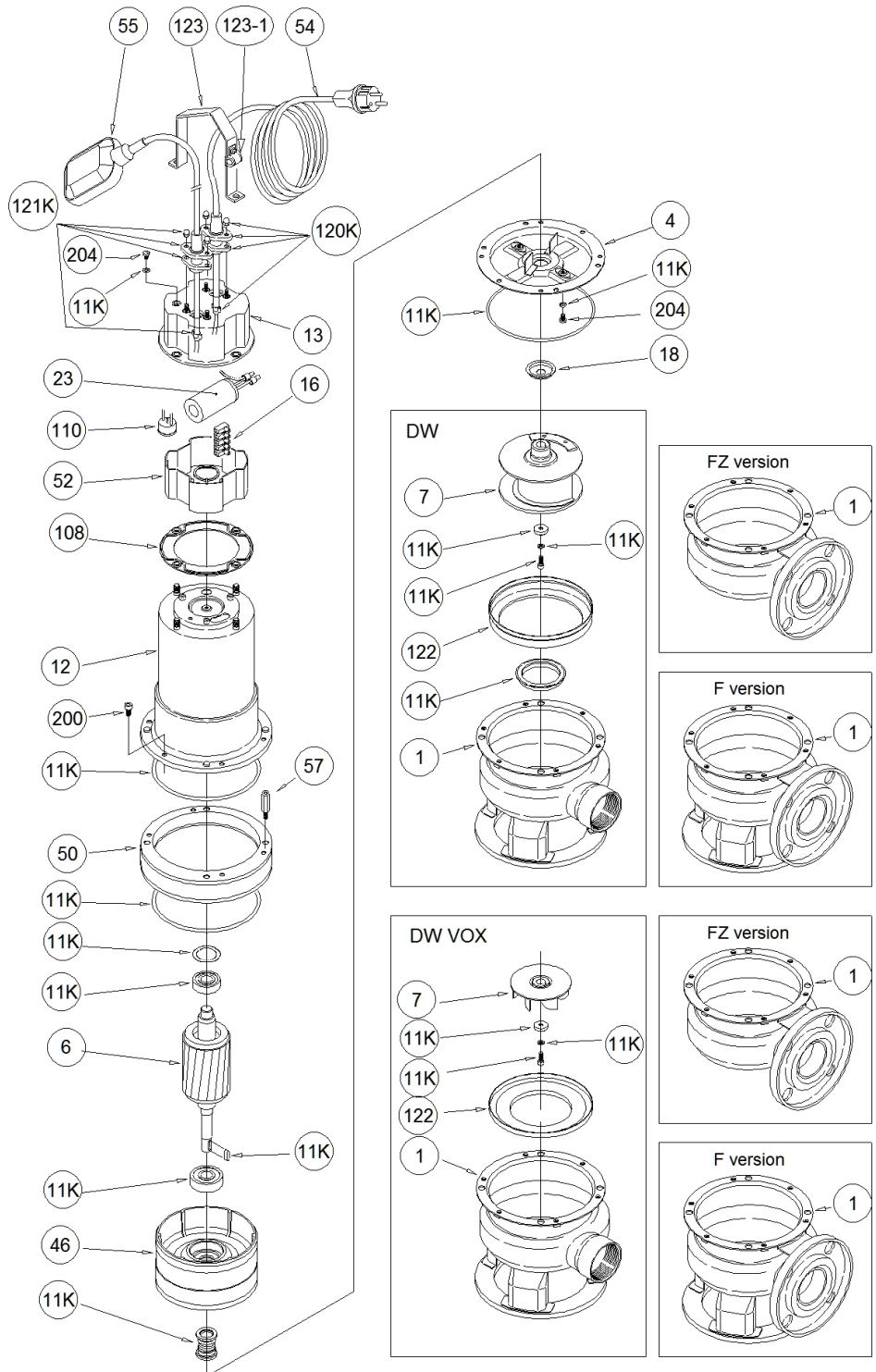


1589050004-DW 100



1589050004-DW 100

Position	Code	Description	Qty
108	364747022	GASKET	1
11K	364500015	MECHANICAL SEAL KIT	1
122	271473027	IMPELLER PROTECTION RING	1
123	251460022	HANDLE	1
13	241425081	MOTOR COVER	1
18	271473031	MECHANICAL SEAL PROTECTION	1
200	369644000	SCREW	6
16	363924204	TERMINAL BOARD	6
4	251438022	CASING COVER	1
46	240080578	BEARING HOUSING	1
52	372582020	TERMINAL INSULATING BOX	1
54	367931056	CABLE	1
120K	352665020	KIT CABLE CONNECTOR	1
12	277930561	MOTOR FRAME	1
6	275412272	SHAFT	1
7	251450902	IMPELLER	1
1	251420699	CASING	1