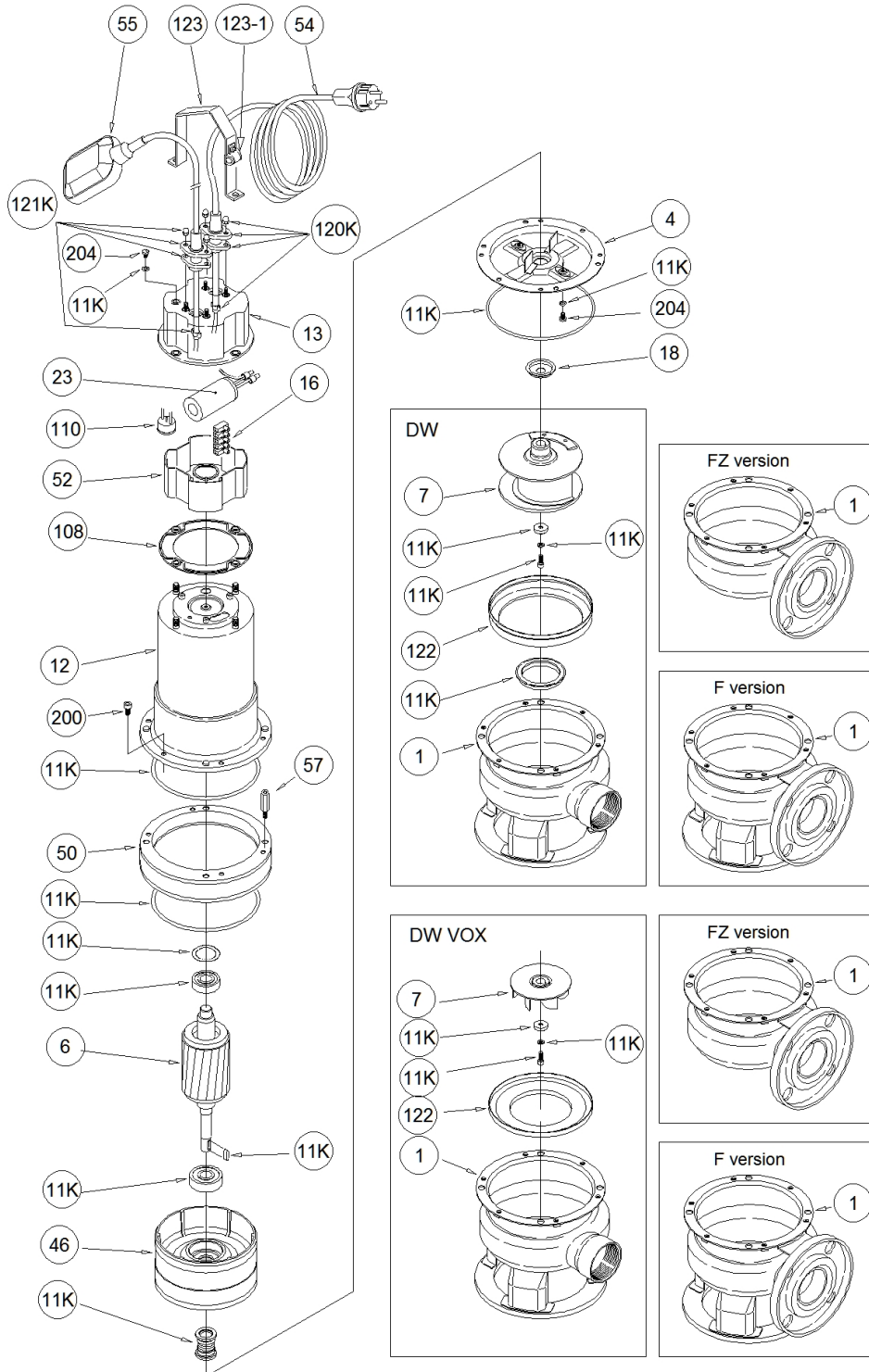


1599071221-DW VOX M 150 A



1599071221-DW VOX M 150 A

Position	Code	Description	Qty
121K	352665014	KIT CABLE CONNECTOR	1
123-1	352665030	TIE KIT CABLE-FLOAT	1
108	364747022	GASKET	1
11K	364500015	MECHANICAL SEAL KIT	1
123	251460022	HANDLE	1
18	271473031	MECHANICAL SEAL PROTECTION	1
200	369644000	SCREW	6
4	251438022	CASING COVER	1
46	240080578	BEARING HOUSING	1
52	372582020	TERMINAL INSULATING BOX	1
54	367900013	CABLE	1
120K	352665021	CABLE CONNECTOR	1
110	369450020	PROTECTOR	1
13	241425082	MOTOR COVER	1
55	365231074	FLOAT SWITCH	1
6	275412263	SHAFT	1
23	361401315	CAPACITOR	1
110	369450510	PROTECTOR	1
12	277930263	MOTOR FRAME	1
16	363924204	TERMINAL BOARD	7
1	251420699	CASING	1
7	251450914	IMPELLER	1