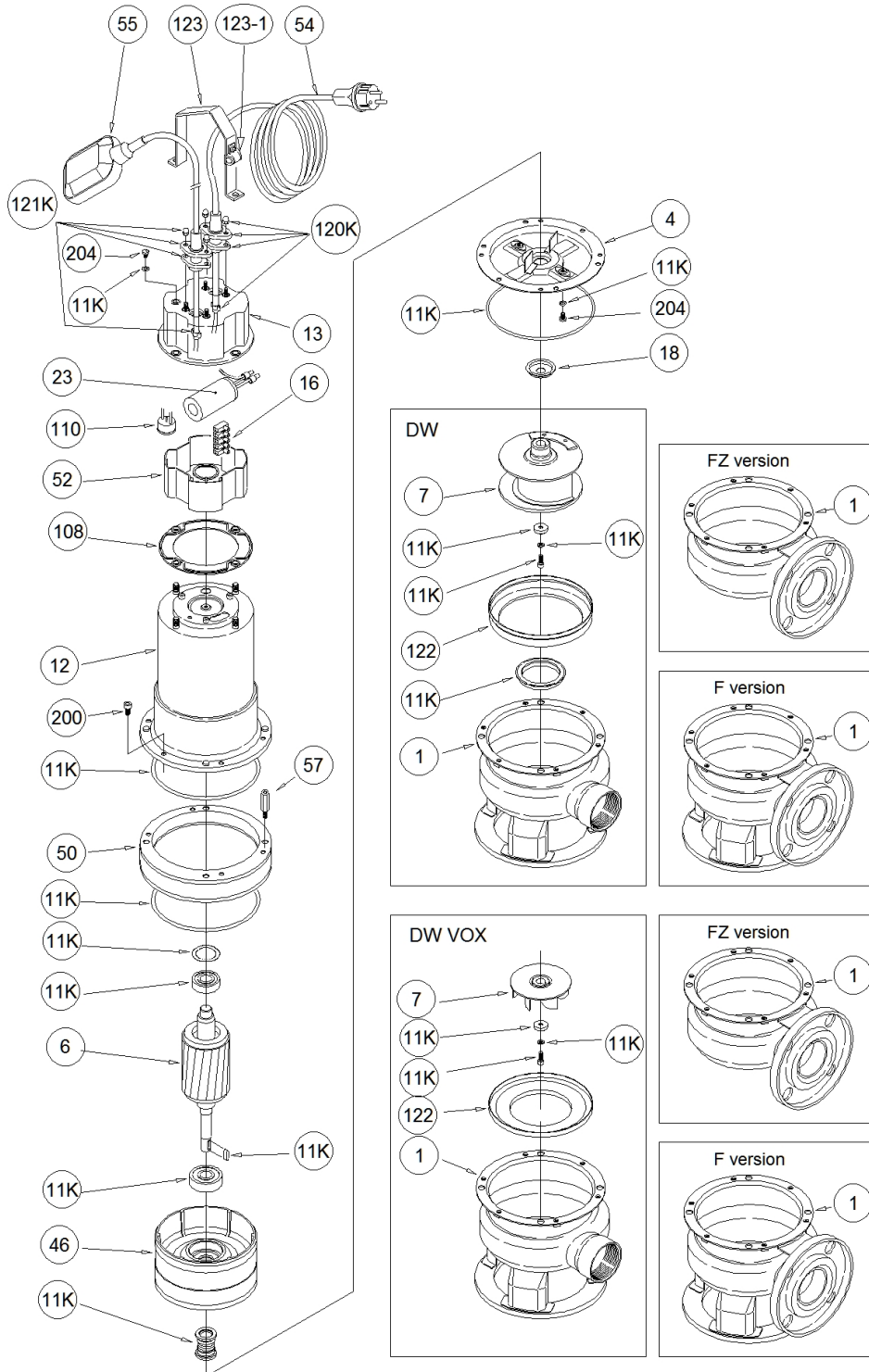


1598071221-DW VOXF M 150 A



1598071221-DW VOXF M 150 A

| Position | Code      | Description                | Qty |
|----------|-----------|----------------------------|-----|
| 121K     | 352665014 | KIT CABLE CONNECTOR        | 1   |
| 123-1    | 352665030 | TIE KIT CABLE-FLOAT        | 1   |
| 108      | 364747022 | GASKET                     | 1   |
| 11K      | 364500015 | MECHANICAL SEAL KIT        | 1   |
| 123      | 251460022 | HANDLE                     | 1   |
| 18       | 271473031 | MECHANICAL SEAL PROTECTION | 1   |
| 200      | 369644000 | SCREW                      | 6   |
| 4        | 251438022 | CASING COVER               | 1   |
| 46       | 240080578 | BEARING HOUSING            | 1   |
| 52       | 372582020 | TERMINAL INSULATING BOX    | 1   |
| 54       | 367900013 | CABLE                      | 1   |
| 120K     | 352665021 | CABLE CONNECTOR            | 1   |
| 110      | 369450020 | PROTECTOR                  | 1   |
| 13       | 241425082 | MOTOR COVER                | 1   |
| 55       | 365231074 | FLOAT SWITCH               | 1   |
| 6        | 275412263 | SHAFT                      | 1   |
| 23       | 361401315 | CAPACITOR                  | 1   |
| 110      | 369450510 | PROTECTOR                  | 1   |
| 12       | 277930263 | MOTOR FRAME                | 1   |
| 1        | 251420988 | CASING                     | 1   |
| 16       | 363924204 | TERMINAL BOARD             | 7   |
| 7        | 251450914 | IMPELLER                   | 1   |