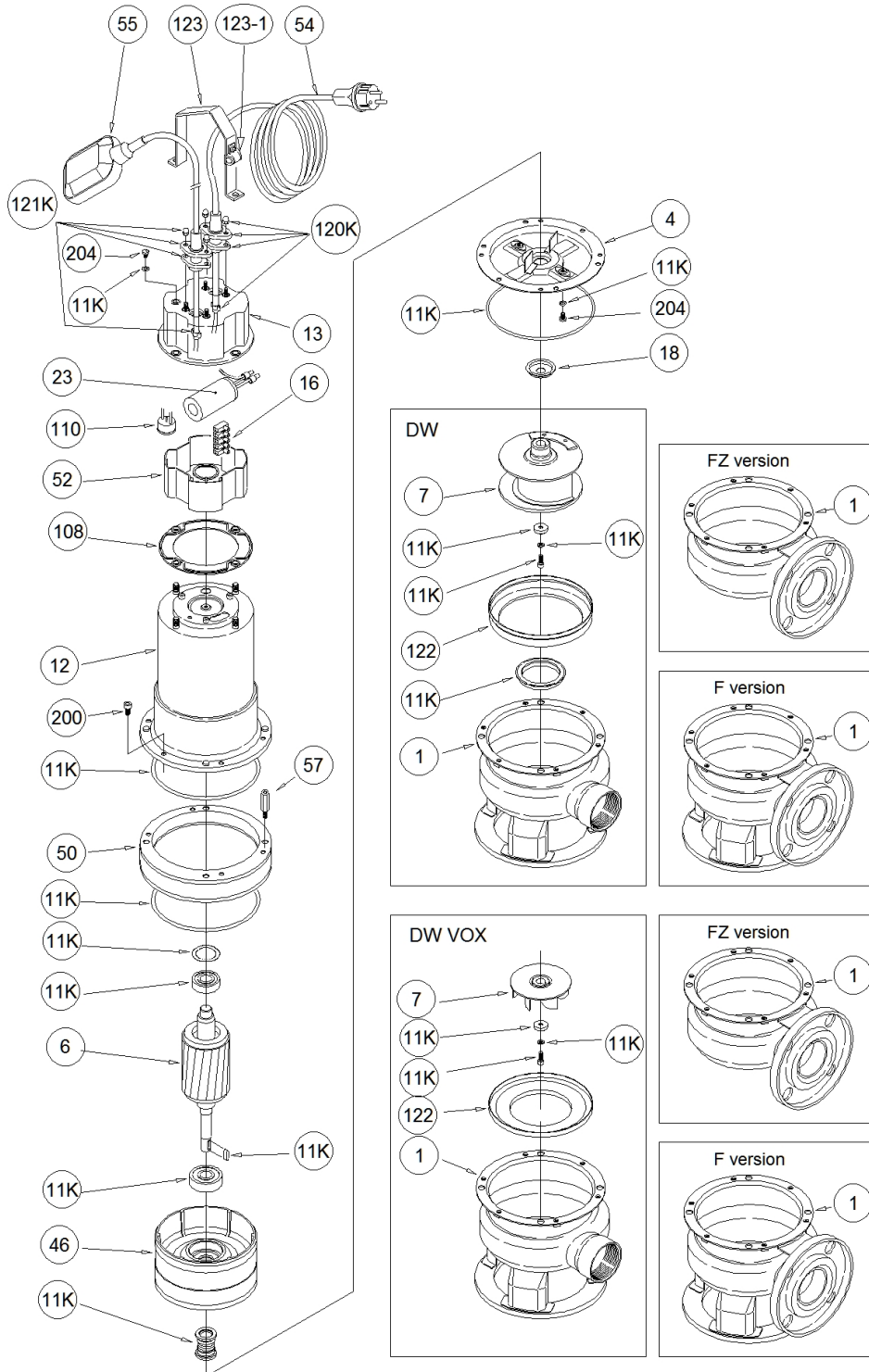


1598031221-DW VOXF M 75 A



1598031221-DW VOXF M 75 A

Position	Code	Description	Qty
121K	352665014	KIT CABLE CONNECTOR	1
123-1	352665030	TIE KIT CABLE-FLOAT	1
108	364747022	GASKET	1
11K	364500015	MECHANICAL SEAL KIT	1
123	251460022	HANDLE	1
18	271473031	MECHANICAL SEAL PROTECTION	1
200	369644000	SCREW	6
4	251438022	CASING COVER	1
46	240080578	BEARING HOUSING	1
52	372582020	TERMINAL INSULATING BOX	1
6	275412261	SHAFT	1
23	361401200	CAPACITOR	1
54	367900007	CABLE	1
120K	352665014	KIT CABLE CONNECTOR	1
16	363924204	TERMINAL BOARD	5
12	277930261	MOTOR FRAME	1
13	241425082	MOTOR COVER	1
55	365231074	FLOAT SWITCH	1
1	251420988	CASING	1
122	271473026	IMPELLER PROTECTION RING	1
7	251450912	IMPELLER	1