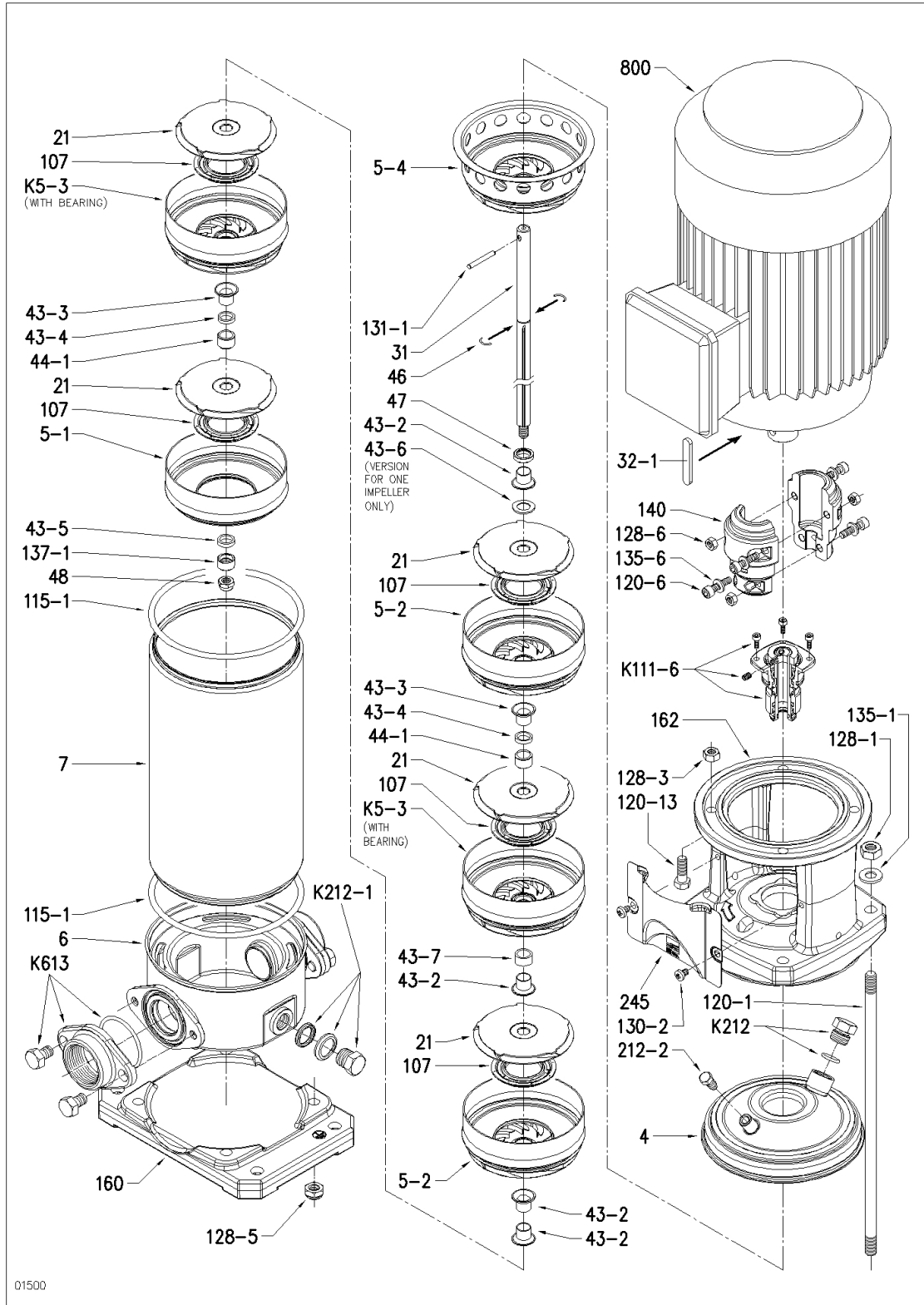


26251000205-3415100020-EVMS1 20N5 Q1BEG E/1,1 ETM



26251000205-3415100020-EVMS1 20N5 Q1BEG E/1,1 ETM

Position	Code	Description	Qty
13	230225112	MOTOR COVER	1
160	240072270	BASE	1
162	240080707	MOTOR BRACKET	1
47	241310268	RING	1
6	251421129	BOTTOM CASING	1
4	251438060	CASING COVER + VENTING PLUG	1
5-4	251482077	DISCHARGE CASING	1
12	272930811	MOTOR	1
31	275411020	SHAFT	1
6	275412060	SHAFT	1
7	285427376	OUTER CASING	1
20	360316202	BEARING	1
19	360326212	BEARING	1
21	360600035	SPACER RING	1
234	360600147	SEEGER RING	1
93	360991522	SEAL RING	1
92	360991544	SEAL RING	1
32-1	361336211	KEY	1
15	362250002	FAN COVER	1
17	362340103	TERMINAL BOX	1
48	363300120	NUT	1
K613	364400060	KIT FLANGE	1
56	364700810	GASKET	1
16	365940256	TERMINAL	1
131-1	367936792	PIN	1
K212	369270007	KIT PLUG+O-RING	1
14	369950014	FAN	1
K111-6	371416190	KIT CARTRIDGE+MECH.SEAL+O-RING	1
43-7	371416221	SPACER	1
137-1	371434095	IMPELLER SPACER	1
212-2	375340070	VENTING PLUG	1
120-13	369600048	BOLT	4
120-6	369641004	BOLT	4
128-6	363304001	NUT	4
130-2	369640002	BOLT	4
135-6	360610030	WASHER	4
K212-1	369270006	KIT PLUG+WASHER+O-RING	2