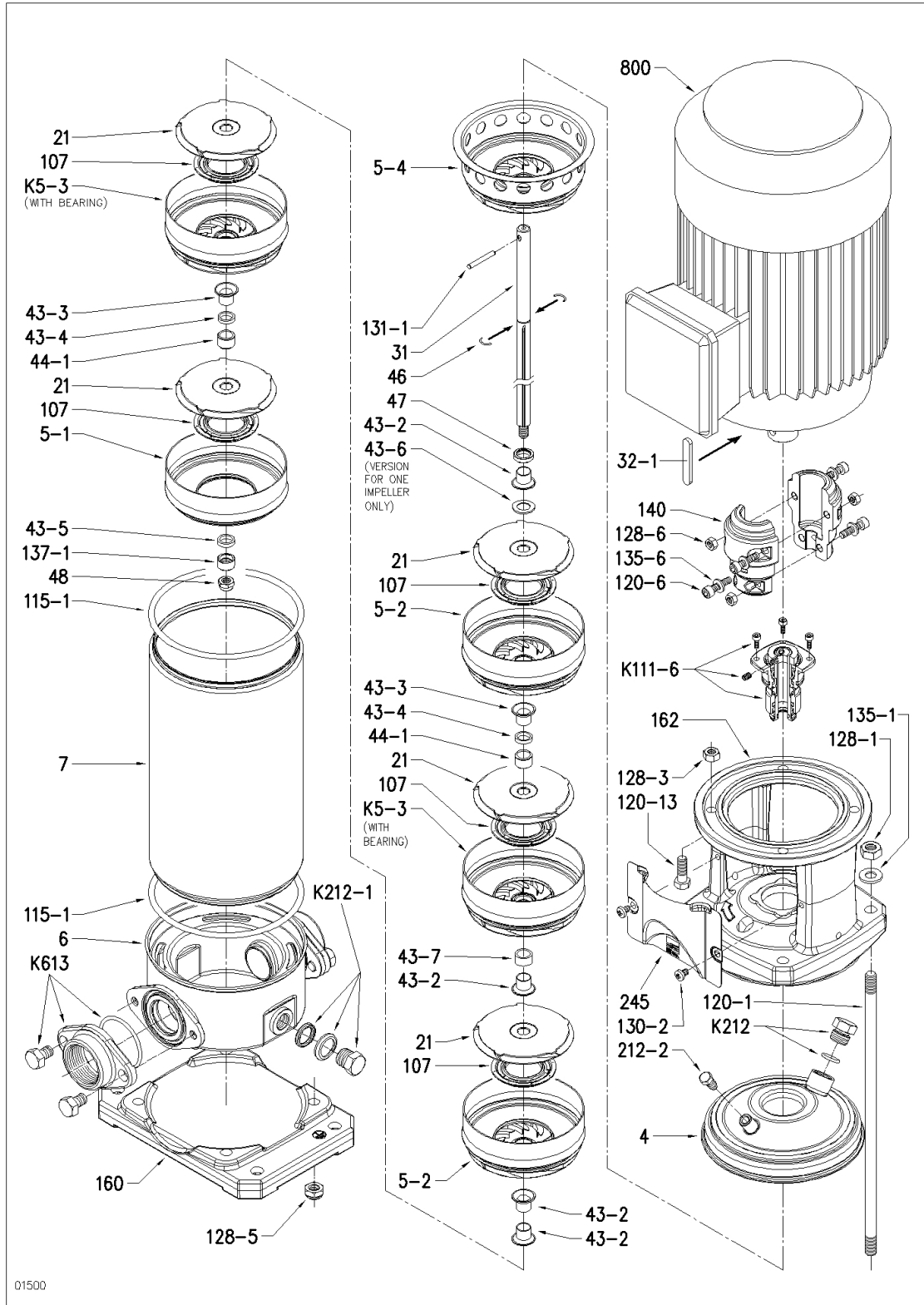


2665100075-345510007-EVMS15 7N5 Q1BEG E/7,5 ETM



26651000075-3455100007-EVMS15 7N5 Q1BEG E/7,5 ETM

| Position | Code | Description | Qty |
|----------|-----------|--------------------------------|-----|
| 128-1 | 740040002 | NUT | 4 |
| K5-3 | 253482185 | INTERMEDIATE CASING | 1 |
| K5-3 | 253482185 | INTERMEDIATE CASING | 1 |
| 128-5 | 740040005 | NUT | 4 |
| 5-4 | 251482181 | DISCHARGE CASING | 1 |
| 5-4 | 251482181 | DISCHARGE CASING | 1 |
| 5-2 | 254482180 | INTERMEDIATE CASING | 1 |
| 5-2 | 254482180 | INTERMEDIATE CASING | 1 |
| 4 | 251438062 | CASING COVER + VENTING PLUG | 1 |
| 6 | 251421130 | BOTTOM CASING | 1 |
| 46 | 360970016 | HALF-COUPLING | 2 |
| 47 | 241310267 | RING | 1 |
| 48 | 363300121 | NUT | 1 |
| 160 | 240072273 | BASE | 1 |
| 115-1 | 360921645 | O-RING | 2 |
| 130-2 | 369640002 | BOLT | 4 |
| 131-1 | 367936793 | PIN | 1 |
| 137-1 | 371434096 | IMPELLER SPACER | 1 |
| 212-2 | 375340070 | VENTING PLUG | 1 |
| 5-1 | 254482074 | SUCTION CASING+LINER RING | 1 |
| K111-6 | 371416192 | KIT CARTRIDGE+MECH.SEAL+O-RING | 1 |
| K212 | 369270007 | KIT PLUG+O-RING | 1 |
| K212-1 | 369270006 | KIT PLUG+WASHER+O-RING | 2 |
| K613 | 364400080 | KIT FLANGE | 1 |
| 140 | 275449224 | HALF-COUPLING | 2 |
| 162 | 240080725 | MOTOR BRACKET | 1 |
| 245 | 271473226 | COUPLINGUARD | 2 |
| 120-13 | 369600053 | BOLT | 4 |
| 120-6 | 369641008 | BOLT | 4 |
| 128-3 | 363300162 | NUT | 4 |
| 32-1 | 361336216 | KEY | 1 |
| 43-2 | 371416202 | SPACER | 2 |
| 7 | 285427402 | OUTER CASING | 1 |
| 21 | 251450437 | IMPELLER | 7 |
| 31 | 275411045 | SHAFT | 1 |
| 107 | 251410281 | LINER RING | 7 |
| 43-3 | 371416202 | SPACER | 2 |
| 43-4 | 371316188 | SPACER | 2 |
| 44-1 | 371416186 | BEARING | 2 |