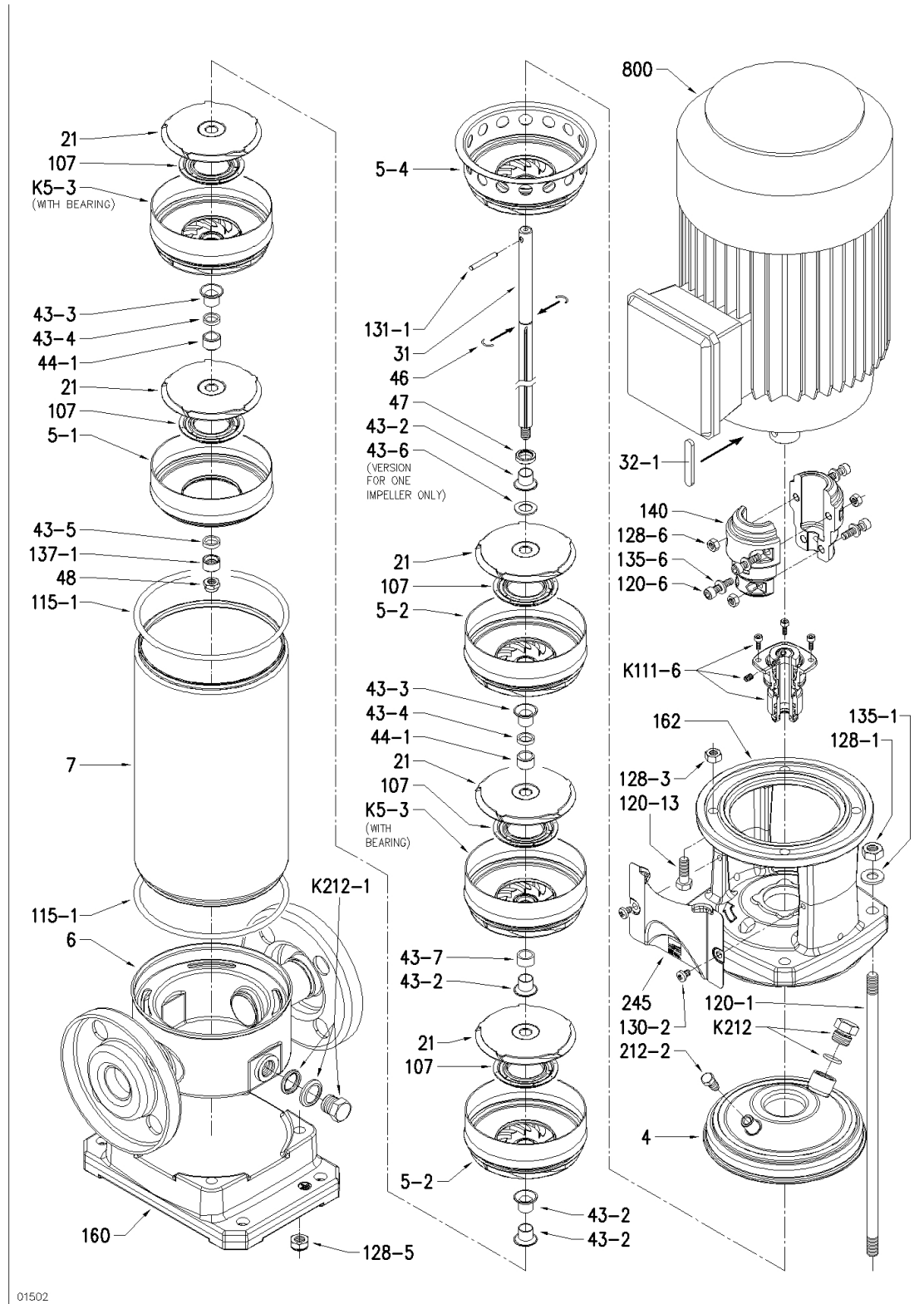


26751100025-3465110002-EVMS20 2F5 Q1BEG E/3 ETM



26751100025-3465110002-EVMS20 2F5 Q1BEG E/3 ETM

Position	Code	Description	Qty
128-1	740040002	NUT	4
K5-3	253482185	INTERMEDIATE CASING	1
128-5	740040005	NUT	4
K5-3	253482185	INTERMEDIATE CASING	1
5-4	251482181	DISCHARGE CASING	1
5-4	251482181	DISCHARGE CASING	1
4	251438062	CASING COVER + VENTING PLUG	1
6	251421128	BOTTOM CASING	1
7	285427397	OUTER CASING	1
31	275411040	SHAFT	1
46	360970016	HALF-COUPLING	2
47	241310267	RING	1
48	363300121	NUT	1
160	240072273	BASE	1
115-1	360921645	O-RING	2
120-13	369600037	BOLT	4
120-6	369641004	BOLT	4
128-6	363304001	NUT	4
130-2	369640002	BOLT	4
131-1	367936793	PIN	1
135-6	360610030	WASHER	4
137-1	371434096	IMPELLER SPACER	1
212-2	375340070	VENTING PLUG	1
43-3	371416202	SPACER	1
43-4	371316188	SPACER	1
44-1	371416186	BEARING	1
5-1	254482074	SUCTION CASING+LINER RING	1
K111-6	371416192	KIT CARTRIDGE+MECH.SEAL+O-RING	1
K212	369270007	KIT PLUG+O-RING	1
K212-1	369270006	KIT PLUG+WASHER+O-RING	2
21	251450441	IMPELLER	2
107	251410281	LINER RING	2
140	275449220	HALF-COUPLING	2
162	240080723	MOTOR BRACKET	1
245	271473225	COUPLINGUARD	2
32-1	361336215	KEY	1