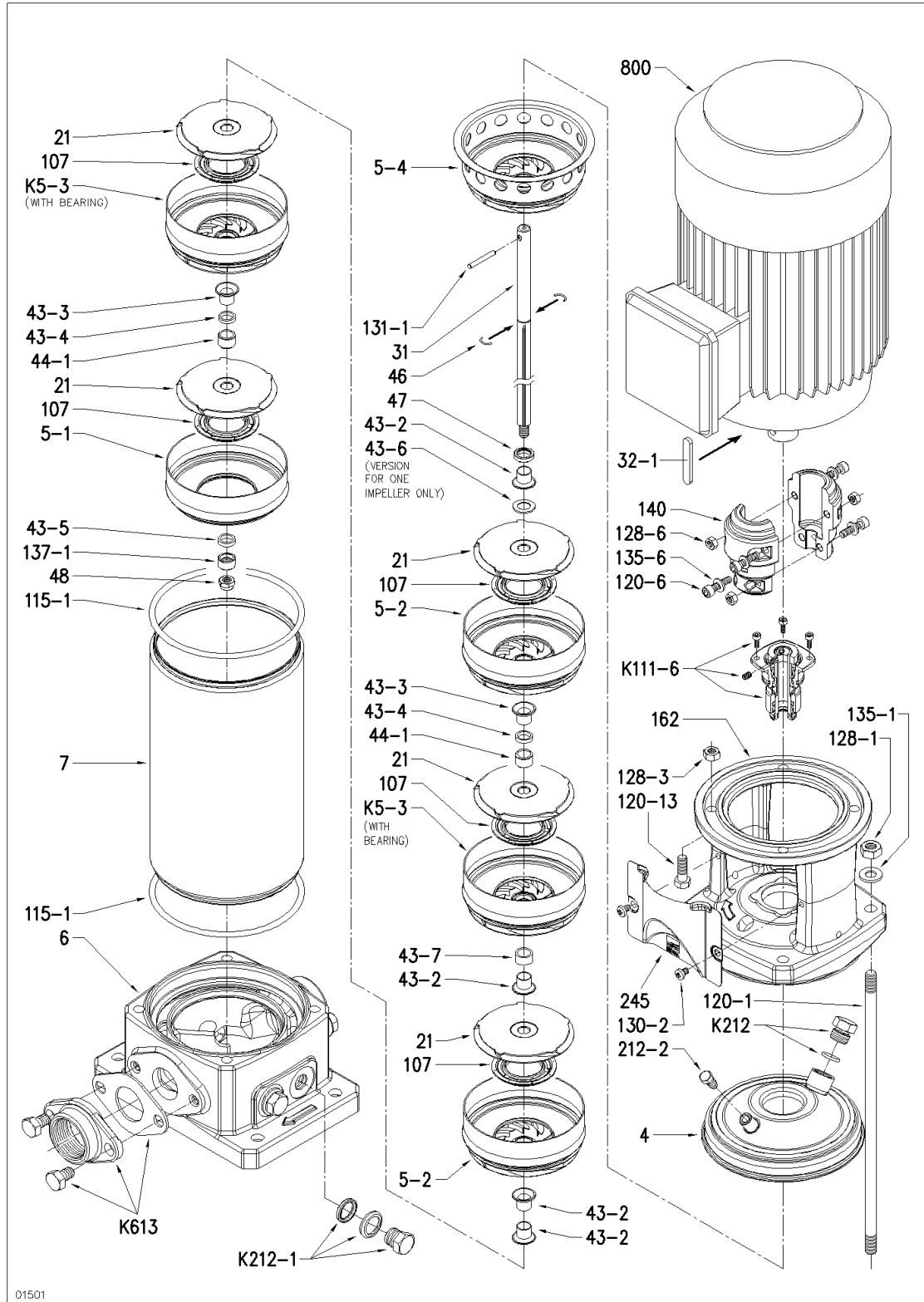


2625000094-341500009-EVMSG1 9N5 Q1BEG E/0,55



2625000094-341500009-EVMSG1 9N5 Q1BEG E/0,55

Position	Code	Description	Qty
6	240021138	BOTTOM CASING	1
47	241310268	RING	1
4	251438060	CASING COVER + VENTING PLUG	1
5-4	251482077	DISCHARGE CASING	1
K5-3	253402790	KIT INTERMEDIATE CASING + BEARING+LINER RING	1
48	363300120	NUT	1
K613	364400073	KIT FLANGE	1
131-1	367936792	PIN	1
K212	369270007	KIT PLUG+O-RING	1
44-1	371416185	BEARING	1
K111-6	371416190	KIT CARTRIDGE+MECH.SEAL+O-RING	1
137-1	371434095	IMPELLER SPACER	1
212-2	375340070	VENTING PLUG	1
120-13	369600048	BOLT	4
120-6	369641004	BOLT	4
128-6	363304001	NUT	4
130-2	369640002	BOLT	4
135-6	360610030	WASHER	4
K212-1	369270006	KIT PLUG+WASHER+O-RING	4