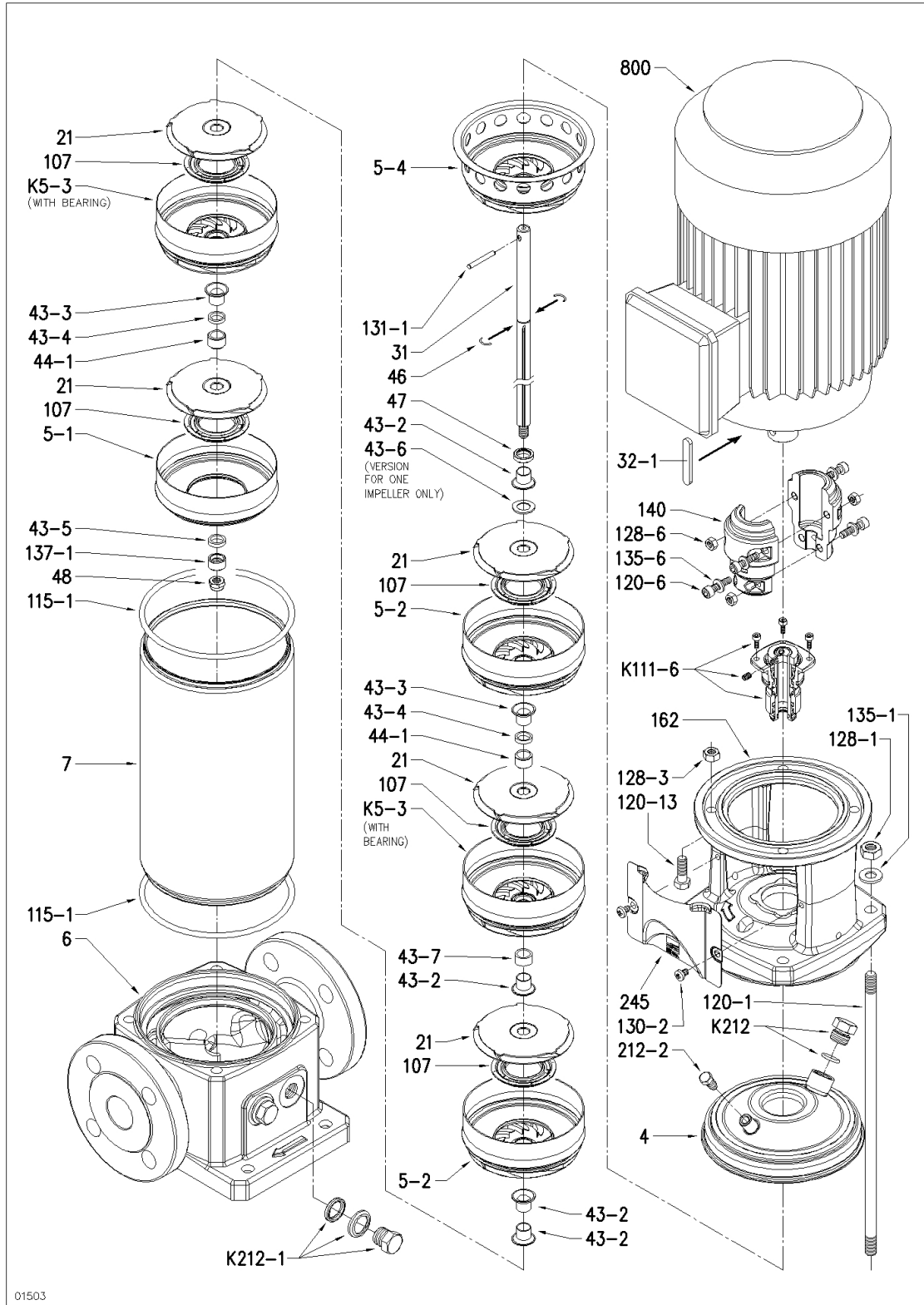


26550100055-3445010005-EVMSG10 5F5 Q1BEG E/2,2 ETM



26550100055-3445010005-EVMSG10 5F5 Q1BEG E/2,2 ETM

| Position | Code | Description | Qty |
|----------|-----------|--|-----|
| 93 | 360991523 | LIP SEAL | 1 |
| 5-2 | 254482183 | INTERMEDIATE CASING | 1 |
| 128-1 | 740040002 | NUT | 4 |
| 5-4 | 251482182 | DISCHARGE CASING | 1 |
| 4 | 251438062 | CASING COVER + VENTING PLUG | 1 |
| 6 | 240021134 | BOTTOM CASING | 1 |
| 46 | 360970016 | HALF-COUPLING | 2 |
| 47 | 241310267 | RING | 1 |
| 48 | 363300121 | NUT | 1 |
| 245 | 271473224 | COUPLINGUARD | 2 |
| 115-1 | 360921645 | O-RING | 2 |
| 120-6 | 369641004 | BOLT | 4 |
| 128-6 | 363304001 | NUT | 4 |
| 130-2 | 369640002 | BOLT | 4 |
| 131-1 | 367936793 | PIN | 1 |
| 135-6 | 360610030 | WASHER | 4 |
| 137-1 | 371434096 | IMPELLER SPACER | 1 |
| 212-2 | 375340070 | VENTING PLUG | 1 |
| 43-3 | 371416173 | SPACER | 7 |
| 44-1 | 371416186 | BEARING | 1 |
| 5-1 | 254482081 | SUCTION CASING+RASAMENTO | 1 |
| K111-6 | 371416192 | KIT CARTRIDGE+MECH.SEAL+O-RING | 1 |
| K212 | 369270007 | KIT PLUG+O-RING | 1 |
| K212-1 | 369270006 | KIT PLUG+WASHER+O-RING | 4 |
| K5-3 | 253402792 | KIT INTERMEDIATE CASING + BEARING+LINER RING | 1 |
| 140 | 275449192 | HALF-COUPLING | 2 |
| 162 | 240080721 | MOTOR BRACKET | 1 |
| 32-1 | 361336212 | KEY | 1 |
| 120-13 | 369600037 | BOLT | 4 |
| 7 | 285427416 | OUTER CASING | 1 |
| 21 | 251450433 | IMPELLER | 5 |
| 31 | 275411050 | SHAFT | 1 |
| 107 | 251410276 | LINER RING | 5 |
| 43-2 | 371416173 | SPACER | 7 |