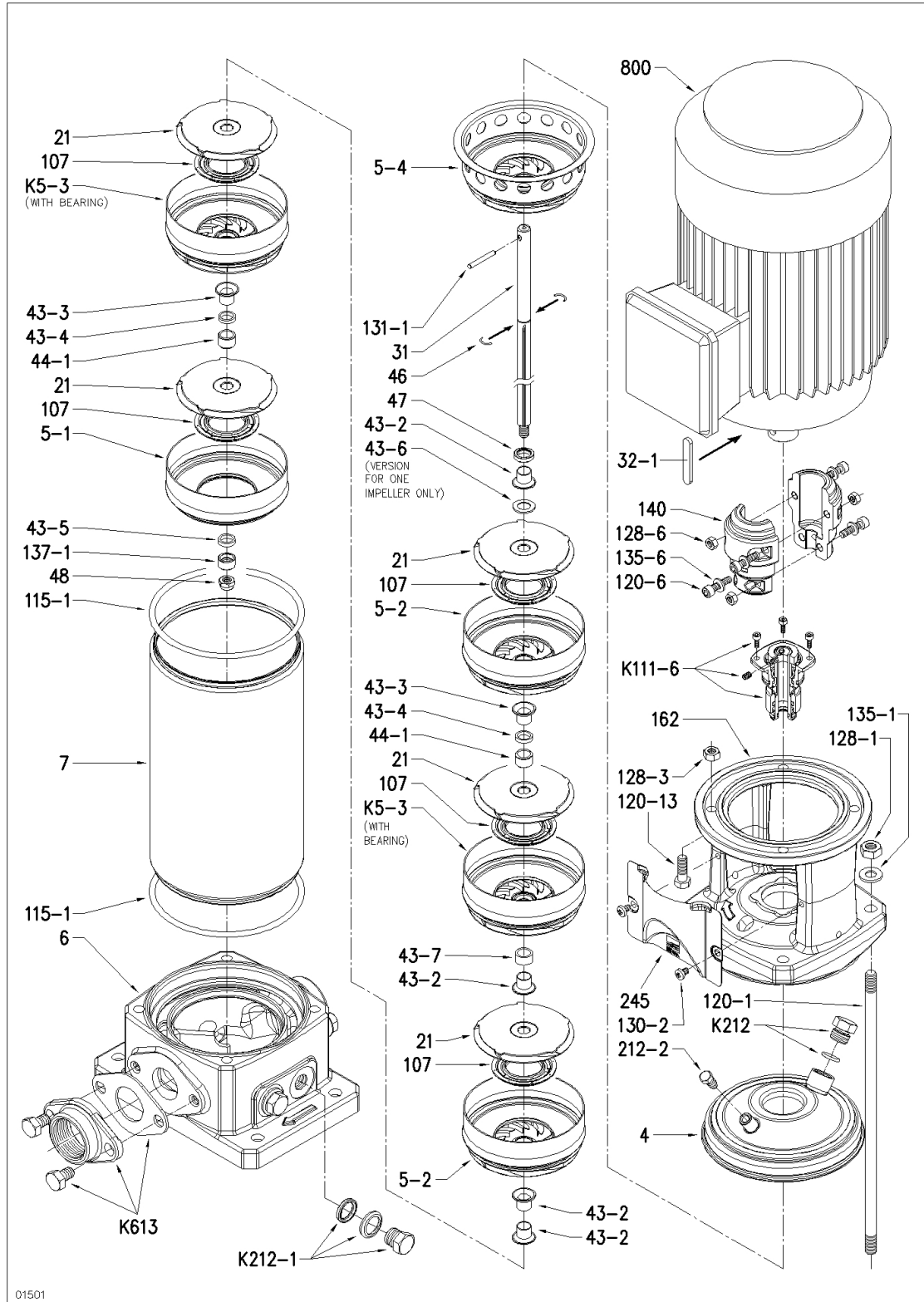


2665000015-345500001-EVMSG15 1N5 Q1BEG E/1,1 ETM



26650000015-3455000001-EVMSG15 1N5 Q1BEG E/1,1 ETM

Position	Code	Description	Qty
128-1	740040002	NUT	4
K5-3	253482186	INTERMEDIATE CASING	1
K5-3	253482186	INTERMEDIATE CASING	1
4	251438062	CASING COVER + VENTING PLUG	1
6	240021125	BOTTOM CASING	1
7	285427397	OUTER CASING	1
21	251450437	IMPELLER	1
31	275411040	SHAFT	1
46	360970016	HALF-COUPLING	2
47	241310267	RING	1
48	363300121	NUT	1
107	251410281	LINER RING	1
140	275449216	HALF-COUPLING	2
162	240080719	MOTOR BRACKET	1
245	271473224	COUPLINGUARD	2
115-1	360921645	O-RING	2
120-13	369600048	BOLT	4
120-6	369641004	BOLT	4
128-6	363304001	NUT	4
130-2	369640002	BOLT	4
131-1	367936793	PIN	1
135-6	360610030	WASHER	4
137-1	371434096	IMPELLER SPACER	1
212-2	375340070	VENTING PLUG	1
32-1	361336211	KEY	1
43-3	371416202	SPACER	1
43-4	371316188	SPACER	1
43-6	371316167	WASHER	1
44-1	371416186	BEARING	1
5-1	254482074	SUCTION CASING+LINER RING	1
5-4	251482082	DISCHARGE CASING+LINER RING	1
K111-6	371416192	KIT CARTRIDGE+MECH.SEAL+O-RING	1
K212	369270007	KIT PLUG+O-RING	1
K212-1	369270006	KIT PLUG+WASHER+O-RING	4
K613	364400082	KIT FLANGE	1