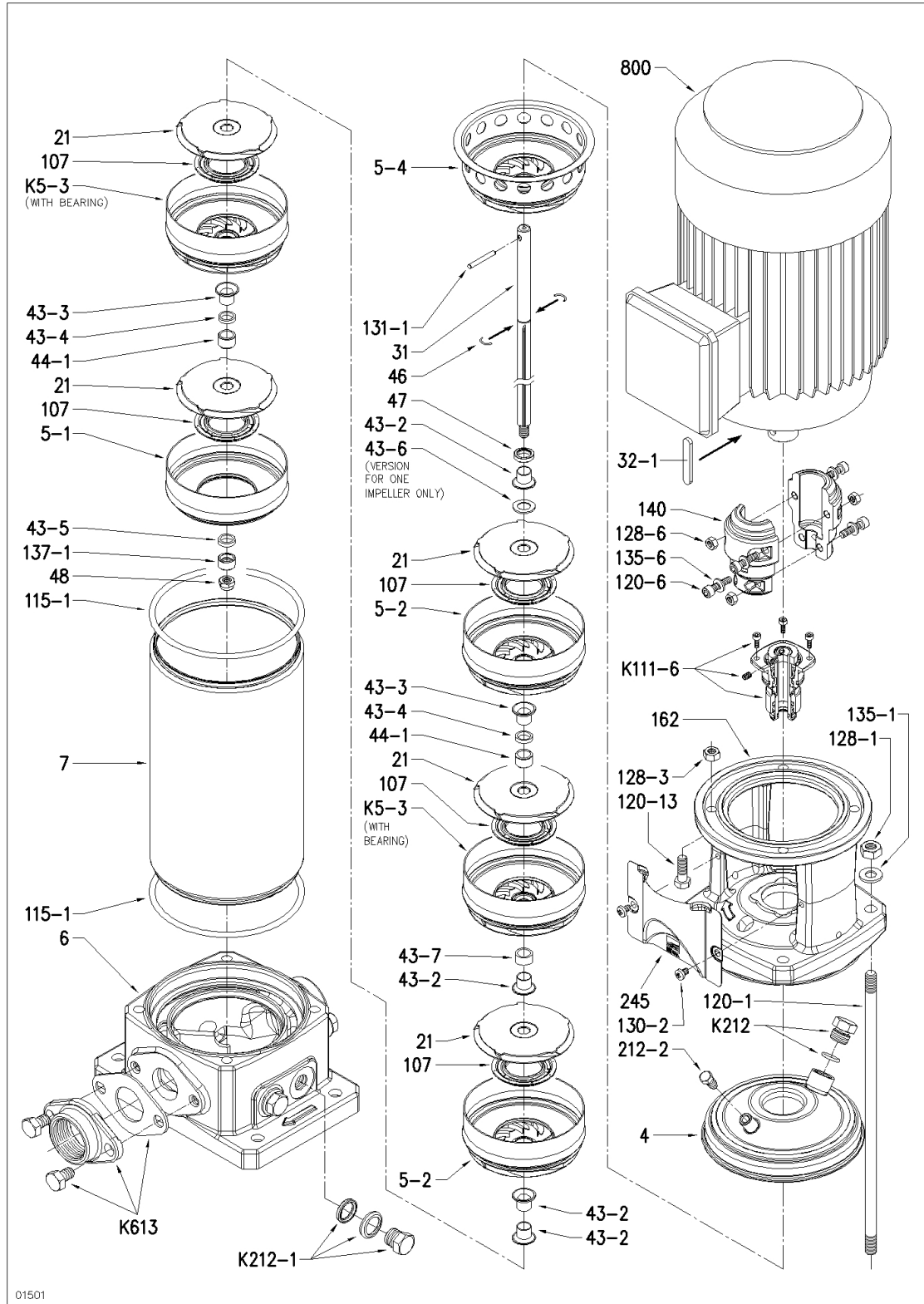


2675000035-346500003-EVMSG20 3N5 Q1BEG E/4 ETM



26750000035-3465000003-EVMSG20 3N5 Q1BEG E/4 ETM

| Position | Code | Description | Qty |
|----------|-----------|--------------------------------|-----|
| 128-1 | 740040002 | NUT | 4 |
| K5-3 | 253482185 | INTERMEDIATE CASING | 1 |
| K5-3 | 253482185 | INTERMEDIATE CASING | 1 |
| 5-4 | 251482181 | DISCHARGE CASING | 1 |
| 5-4 | 251482181 | DISCHARGE CASING | 1 |
| 5-2 | 254482180 | INTERMEDIATE CASING | 1 |
| 5-2 | 254482180 | INTERMEDIATE CASING | 1 |
| 4 | 251438062 | CASING COVER + VENTING PLUG | 1 |
| 6 | 240021125 | BOTTOM CASING | 1 |
| 46 | 360970016 | HALF-COUPLING | 2 |
| 47 | 241310267 | RING | 1 |
| 48 | 363300121 | NUT | 1 |
| 115-1 | 360921645 | O-RING | 2 |
| 120-13 | 369600037 | BOLT | 4 |
| 120-6 | 369641004 | BOLT | 4 |
| 128-6 | 363304001 | NUT | 4 |
| 130-2 | 369640002 | BOLT | 4 |
| 131-1 | 367936793 | PIN | 1 |
| 135-6 | 360610030 | WASHER | 4 |
| 137-1 | 371434096 | IMPELLER SPACER | 1 |
| 212-2 | 375340070 | VENTING PLUG | 1 |
| 43-3 | 371416202 | SPACER | 3 |
| 43-4 | 371316188 | SPACER | 1 |
| 44-1 | 371416186 | BEARING | 1 |
| 5-1 | 254482074 | SUCTION CASING+LINER RING | 1 |
| K111-6 | 371416192 | KIT CARTRIDGE+MECH.SEAL+O-RING | 1 |
| K212 | 369270007 | KIT PLUG+O-RING | 1 |
| K212-1 | 369270006 | KIT PLUG+WASHER+O-RING | 4 |
| K613 | 364400082 | KIT FLANGE | 1 |
| 140 | 275449220 | HALF-COUPLING | 2 |
| 162 | 240080723 | MOTOR BRACKET | 1 |
| 245 | 271473225 | COUPLINGUARD | 2 |
| 32-1 | 361336215 | KEY | 1 |
| 7 | 285427398 | OUTER CASING | 1 |
| 21 | 251450441 | IMPELLER | 3 |
| 31 | 275411041 | SHAFT | 1 |
| 107 | 251410281 | LINER RING | 3 |
| 43-2 | 371416202 | SPACER | 3 |