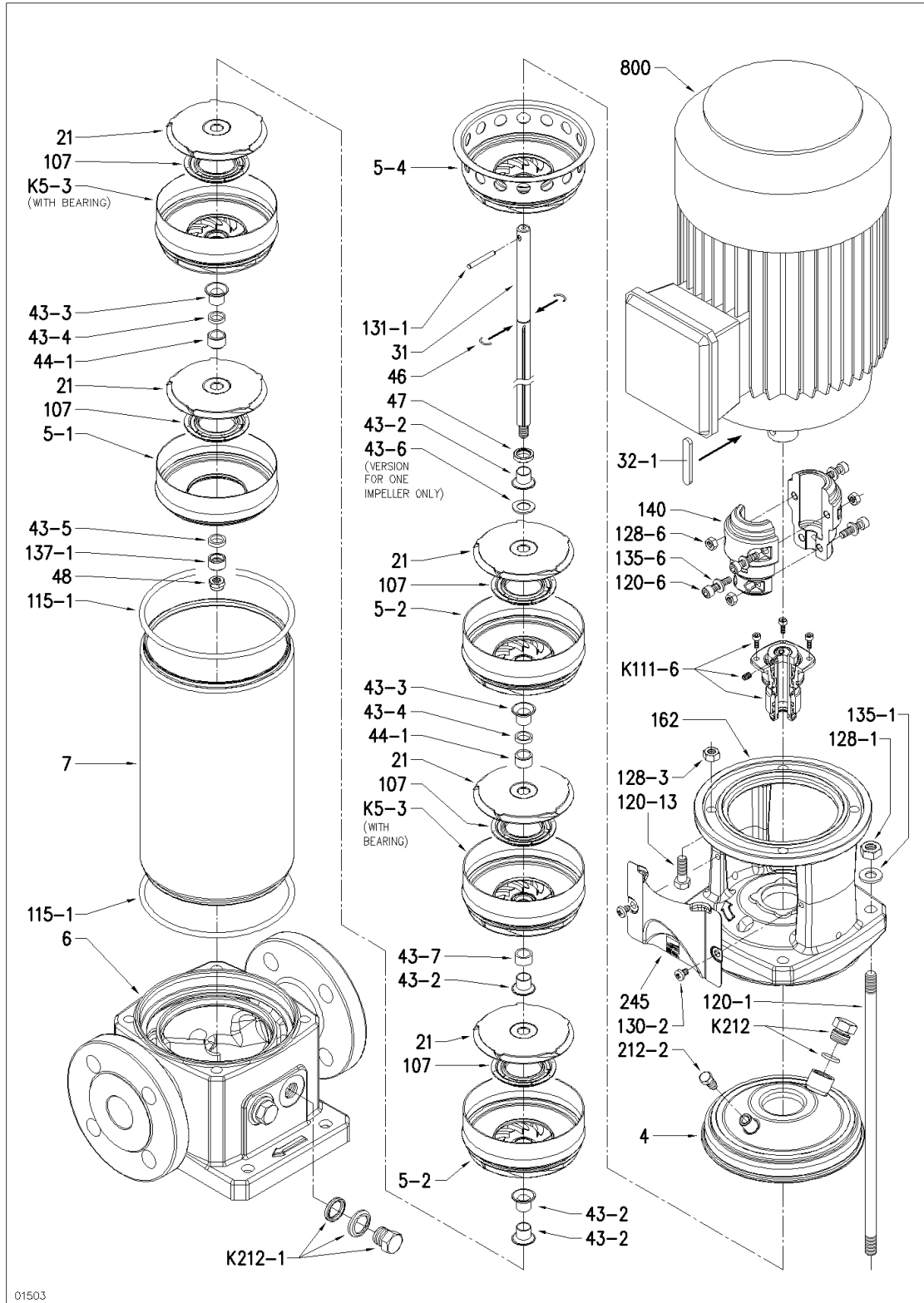


26350100064-3425010006-EVMSG3 6F5 Q1BEG E/0,55



26350100064-3425010006-EVMSG3 6F5 Q1BEG E/0,55

| Position | Code | Description | Qty |
|----------|-----------|--|-----|
| 4 | 251438060 | CASING COVER + VENTING PLUG | 1 |
| 6 | 240021130 | BOTTOM CASING | 1 |
| 46 | 360970012 | HALF-RING | 2 |
| 47 | 241310268 | RING | 1 |
| 48 | 363300120 | NUT | 1 |
| 140 | 275449200 | HALF-COUPLING | 2 |
| 162 | 240080705 | MOTOR BRACKET | 1 |
| 245 | 271473220 | COUPLINGUARD | 2 |
| 115-1 | 360921295 | O-RING | 2 |
| 120-13 | 369600048 | BOLT | 4 |
| 120-6 | 369641004 | BOLT | 4 |
| 128-6 | 363304001 | NUT | 4 |
| 130-2 | 369640002 | BOLT | 4 |
| 131-1 | 367936792 | PIN | 1 |
| 135-6 | 360610030 | WASHER | 4 |
| 137-1 | 371434095 | IMPELLER SPACER | 1 |
| 212-2 | 375340070 | VENTING PLUG | 1 |
| 32-1 | 361336210 | KEY | 1 |
| 43-3 | 371416170 | SPACER | 9 |
| 44-1 | 371416185 | BEARING | 1 |
| 5-1 | 254482076 | SUCTION CASING+RASAMENTO | 1 |
| 5-4 | 251482077 | DISCHARGE CASING | 1 |
| K111-6 | 371416190 | KIT CARTRIDGE+MECH.SEAL+O-RING | 1 |
| K212 | 369270007 | KIT PLUG+O-RING | 1 |
| K212-1 | 369270006 | KIT PLUG+WASHER+O-RING | 4 |
| K5-3 | 253402794 | KIT INTERMEDIATE CASING + BEARING+LINER RING | 1 |
| 7 | 285427356 | OUTER CASING | 1 |
| 21 | 251450429 | IMPELLER | 6 |
| 31 | 275411006 | SHAFT | 1 |
| 107 | 251410273 | LINER RING | 6 |
| 43-2 | 371416170 | SPACER | 9 |
| 5-2 | 254482075 | INTERMEDIATE CASING+LINER RING | 4 |