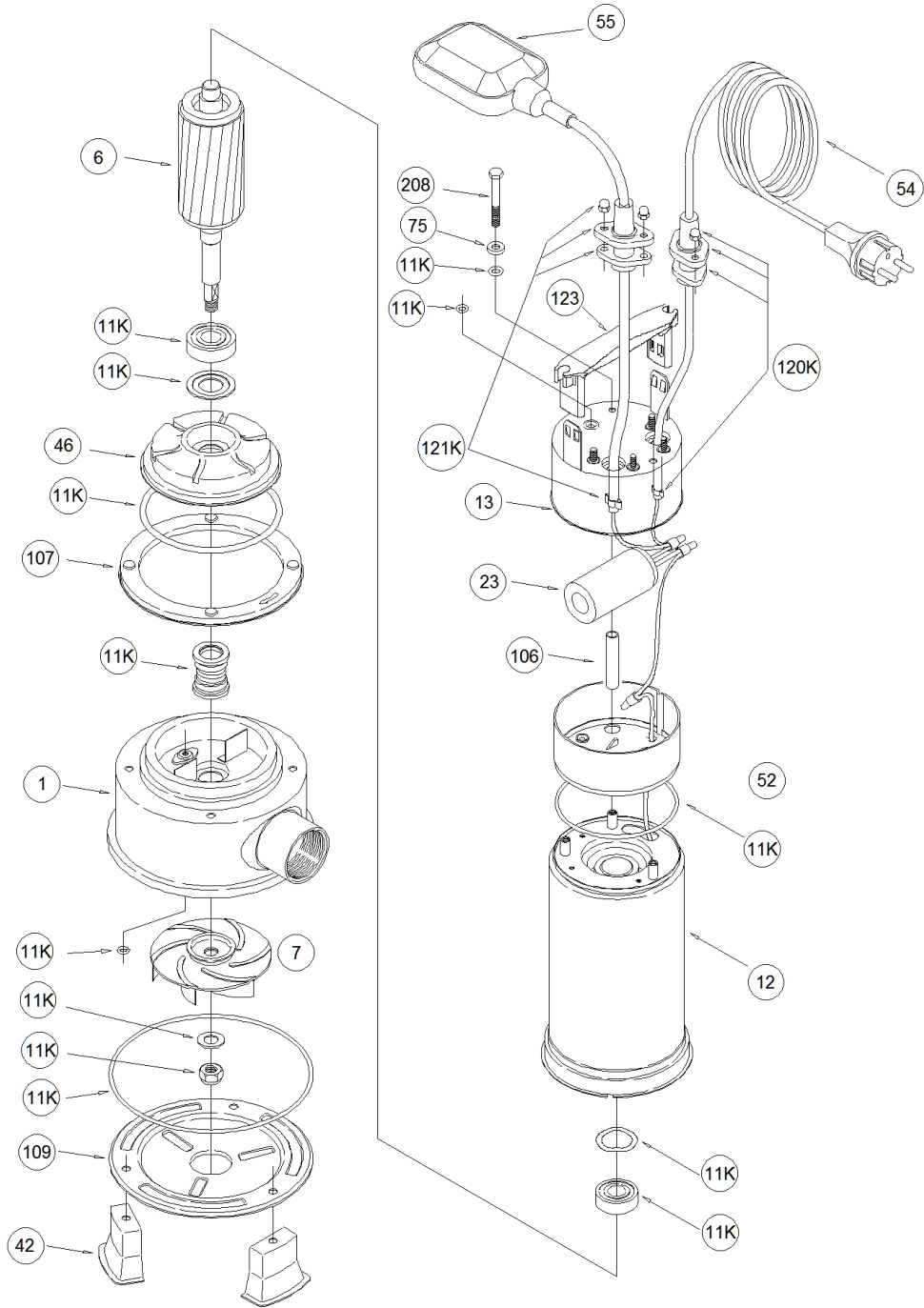


1771051421-RIGHT 100 M A 10 m



1771051421-RIGHT 100 M A 10 m

Position	Code	Description	Qty
123	251460029	HANDLE	1
75	360676021	WASHER	3
1	251402130	CASING	1
106	375434024	SCREW SPACER	3
107	251402129	COUPLING RING	1
109	230225068	SUCTION SIDE COVER	1
11K	364500016	MECHANICAL SEAL KIT	1
208	369605006	SCREW	3
42	371472032	FOOT	3
46	240480007	BEARING HOUSING	1
52	372582001	TERMINAL INSULATING BOX	1
13	251402189	MOTOR COVER	1
55	365231074	FLOAT SWITCH	1
120K	352665014	KIT CABLE CONNECTOR	1
121K	352665014	KIT CABLE CONNECTOR	1
54	367900007	CABLE	1
7	241450715	IMPELLER	1
12	257902131	MOTOR FRAME	1
23	361401315	CAPACITOR	1
6	275412193	SHAFT	1